

XSEL™ Process Gauge - Copper Alloy

Type 212.34 - Dry Case

Type 213.34 - Liquid-filled Case

WIKA Datasheet 21X.34

Applications

- For applications with high dynamic pressure pulsations or vibration a liquid filled case and socket restrictor are available
- Suitable for corrosive environments and gaseous or liquid media that will not obstruct the pressure system
- Process industry: chemical/petrochemical, power stations, mining, on and offshore, environmental technology, mechanical engineering and plant construction

Product features

- Excellent load-cycle stability and shock resistance
- Solid front thermoplastic case
- Positive pressure ranges to 1,000 psi (60 bar)
- XSEL™ Process Gauge with 5 year warranty on gauge and 10 year warranty on pressure system (see terms and conditions)
- All lower mount connection gauges are factory prepared for liquid filling

(LBM: must install membrane prior to field filling)

Specifications

Design

ASME B40.100

Sizes

4½" & 6" (115 & 160 mm) dial size

Accuracy class

± 0.5% of span (ASME B40.100 Grade 2A)

Ranges

Vacuum / Compound to 200 psi (16 bar)

Pressure from 15 psi (bar) to 1,000 psi (60 bar)

or other equivalent units of pressure or vacuum

Working pressure

Steady: full scale value

Fluctuating: 0.9 x full scale value

Short time: 1.5 x full scale value

Operating temperature

Ambient: -40°F to +150°F (-40°C to +65°C) - dry

-4°F to +150°F (-20°C to +65°C) - glycerine filled

-40°F to +150°F (-40°C to +65°C) - silicone filled

Medium: +150°F (+65°C) maximum

Temperature error

Additional error when temperature changes from reference temperature of 68°F (20°C) ±0.4% of span for every 18°F (10°K) rising or falling.



Bourdon Tube Pressure Gauge Model 212.34

Weather protection

Weather resistant (NEMA 3 / IP54) - without membrane

Weather tight (NEMA 4X / IP66) - dry case or filled case with membrane installed

Pressure connection

Material: Copper alloy

Lower mount (LM)

1/4" or 1/2" NPT with M4 internal tap

Restrictor

Material: Stainless steel (0.6 mm), standard

Bourdon tube

Material: Copper alloy

C-shape

Movement

Copper alloy. Internal overload stop set at 1.1 x full scale

Overload stop - standard

Underload stop - optional

Dampened movement - optional

Dial

White aluminum with black lettering, stop pin at 6 o'clock

Standard WIKA psi single scales (4½" only) with large figures at beginning and end for quick and easy identification.

Pointer

Black aluminum, adjustable

Case

Black fiberglass-reinforced thermoplastic (POCAN)

Solid front, blowout back

Turret-style case with built in rear flange lugs

Window

Clear acrylic with Buna-N gasket

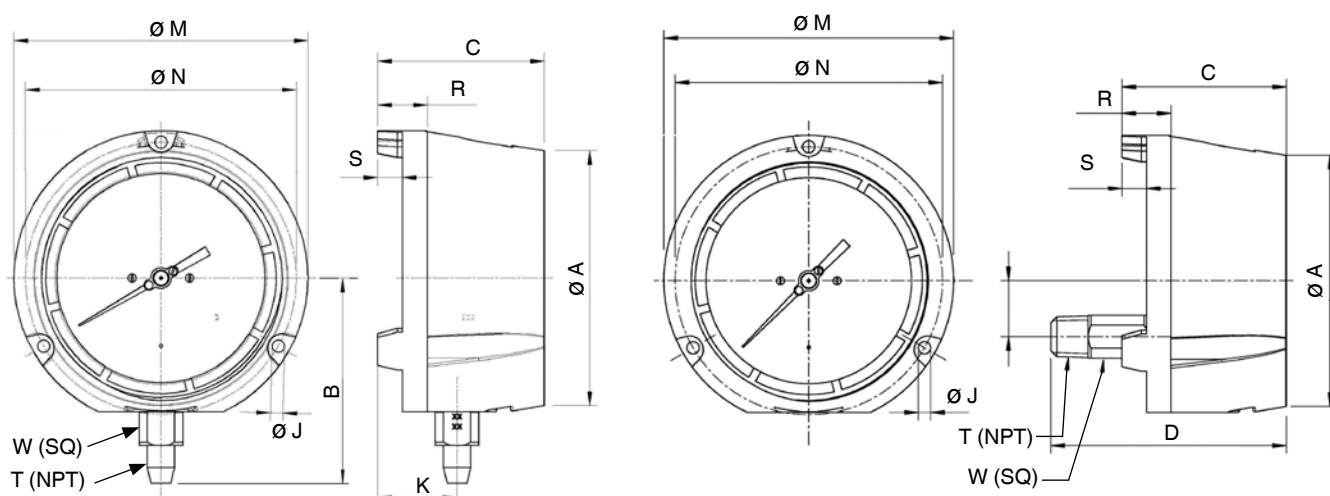
Case filling

Glycerine 99.7% - Type 213.34

Optional extras

- Silicone dampened movement
- Panel mounting adaptor kit (field assembled)
- Silicone case filling
- Halocarbon case filling
- Cleaned for oxygen service
- Instrument glass or safety glass window
- Drag pointer (maximum reading indicator)
- Alarm contacts switches (magnetic or inductive)
- Special process connections
- Custom dial layout
- External zero adjustment (4.5" size only)
- Case and ring in red or yellow thermoplastic (4½" LM only)
- Insight® reflective dial options available in white, fluorescent yellow, fluorescent orange or glow-in-the-dark

Dimensions



Size		A	B	C	D	J	K	L	M	N	R	S	T	W	Weight ¹	
4.5"	mm	128	103	84	120.3	6.3	40	28.5	148	136.5	25	12.5		22	2 lb.	dry
	in	5	4.06	3.31	4.74	0.248	1.57	1.12	5.83	5.37	0.99	0.49	1/2"	0.87	3 lb.	filled
6"	mm	164	122.5	88	123.4	7.1	40.2	28.5	190	177.8	25.4	12.7		22	3 lb.	dry
	in	6.46	4.82	3.46	4.86	0.28	1.58	1.12	7.5	7	1	0.5	1/2"	0.87	4 lb.	filled

¹ Weight without optional accessories

Ordering information

Pressure gauge model / Nominal size / Scale range / Size of connection / Optional extras required
The specifications and dimensions given in this document represent the state of engineering at the time of printing.
We reserve the right to make modifications to the specifications and materials.



WIKAI Instrument, LP

1000 Wiegand Boulevard
Lawrenceville, GA 30043
Tel (770) 513-8200 Toll-free 1-888-WIKA-USA
Fax (770) 338-5118
E-Mail info@wika.com
www.wika.com