

Low Pressure Capsule Gauges

Type 611.10, Standard Design, Copper Alloy Wetted Parts

Type 631.10, Stainless Steel Wetted Parts

WIKA Datasheet 611.10

Applications

- Low pressure gauge for applications in a controlled environment
- Ideal for measuring pressure, vacuum in medical, environmental, and laboratory applications for content and filter monitoring
- For gaseous, dry and non-aggressive media
- Model 631.10 also suited for aggressive (dry) media

Product Features

- Front zero adjustment
- Special connections on request
- Scale ranges from 0/10 InWC (25 mbar)

Specifications

Design

Per EN 837-3

Nominal size

2" (50 mm), 2½" (63 mm)

Accuracy

± 1.6 of full scale value

Standard ranges

2": 0...25 InWC (60 mbar) to 0...250 InWC (600 mbar)
 2½": 0...10 InWC (25 mbar) to 0...250 InWC (600 mbar)
 or all other equivalent vacuum or combined pressure
 and vacuum ranges

Standard scales

InH₂O/mmH₂O
 oz/sq.in/mmH₂O
 oz/sq.in/InH₂O
 PSI

Pressure limitation

Steady: full-scale value
 Fluctuating: full-scale value

Permissible temperature

Ambient: -4 °F... +140 °F (-20 °C... +60 °C)
 Media: +212 °F (100 °C) maximum



Capsule Pressure Gauge Model 611.10

Temperature error

Additional error when temperature changes from reference temperature of 68 °F (20 °C) ± 0.5% of span for every 18 °F (10 °K) rising or falling

Ingress protection

NEMA 2 (IP 32 per EN 60529 / IEC 529)

Process connection

Model 611.10: copper alloy
 Model 631.10: Stainless steel
 Lower mount (LM) or back mount (CBM)
 2" back mount only
 ¼" NPT male (14 mm wrench flats)

Process element

Model 611.10: copper alloy
 Model 631.10: Stainless steel

Sealing

NBR

Movement

Copper alloy

Zero adjustment

At the front

Dial

Aluminum, white, black lettering

Pointer

Aluminum, black

Case

Steel, black

Window

Clear plastic

Options

- Other process connection
- Stainless steel case
- Overpressure and vacuum safety with
 - scale ranges < 16 InWC (40 mbar): 3X full scale value
 - scale ranges ≥ 16 InWC (40 mbar): 10X full scale value
- Slip-on bezel ¹⁾
- Triangular bezel with clamp ¹⁾

¹⁾ also for size 2"**Approvals**

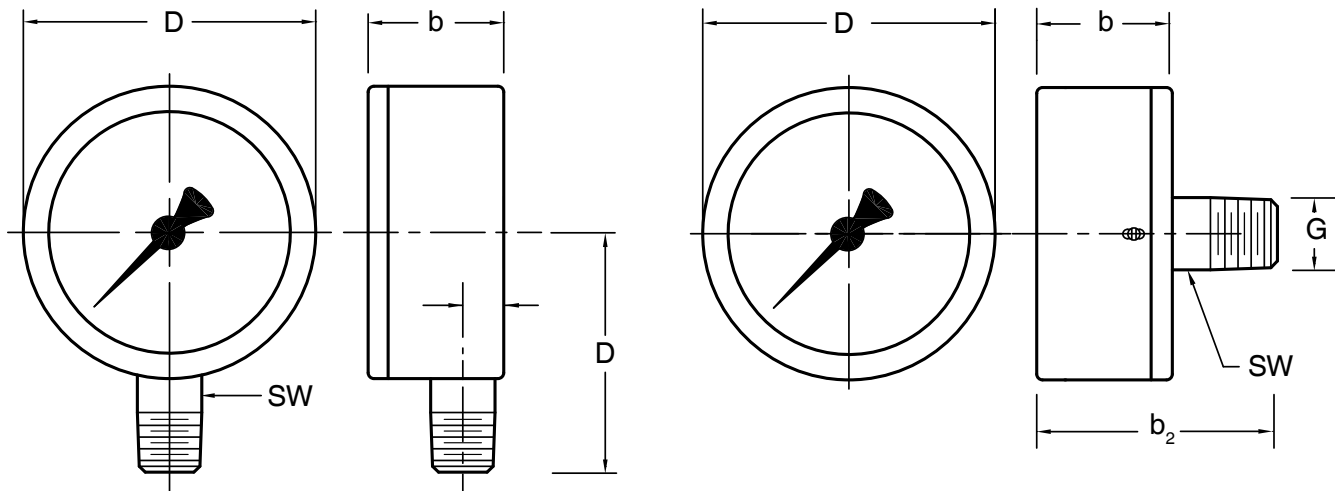
- GOST, metrology/measurement technology, Russia
- GOST R, import certificate, Russia

Certificates ²⁾

- 2.2 test report per EN 10204 (e.g. state-of-the-art manufacturing, material proof, indication accuracy)
- 3.1 inspection certificate per EN 10204 (e.g. material proof for wetted metallic parts, indication accuracy)

²⁾ Option

Approvals and certificates - see website



Size	Dimension in inches								Weight in LBS
	a	b	b ₁	b ₂	D	G	h + 1	SW	
2"	-	-	1.10	1.89	50	1/4" NPT	-	.55	0.20
2 1/2"	.37	1.57	1.44	2.19	63	1/4" NPT	2.00	.55	0.44

Ordering information

Model / Connection location / Wall mount or panel mount / Inner dimensions of the threaded pressure connection / Scale range / Options

Ordering information

Pressure gauge model / Nominal size / Scale range / Size of connection / Optional extras required
 Specifications and dimensions given in this leaflet represent the state of engineering at the time of printing.
 Modifications may take place and materials specified may be replaced by others without prior notice.



WIKA Instrument, LP
 1000 Wiegand Boulevard
 Lawrenceville, GA 30043-5868
 Tel: 888-WIKA-USA • 770-513-8200
 Fax: 770-338-5118
 E-Mail: info@wika.com
 www.wika.com

Recommended panel cut-out: D + 1mm