

Level Switches Model WRS / WCS

WIKA datasheet WRS WCS



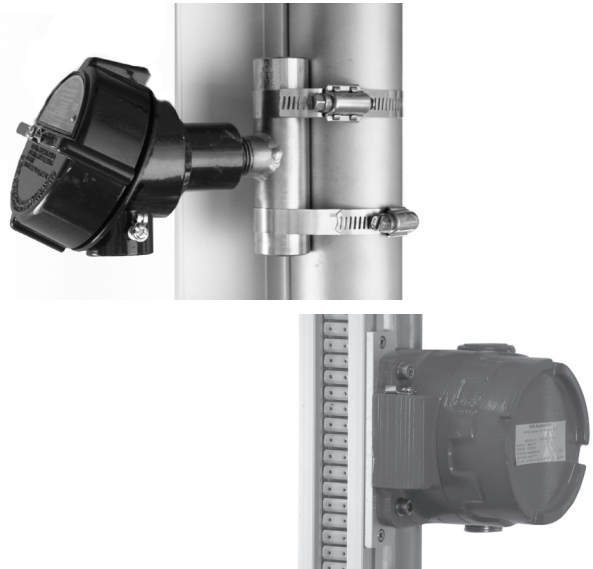
Application

WRS and WCS series switches are suitable for most industrial and commercial applications including:

- Refinery and chemical industries
- Energy and power plant technology
- Feed water heaters and boilers
- Oil and gas industries
- Offshore exploration and drilling
- Pipeline compressor applications

Features

- Process temperature ranges from -320°F to 650°F or -184°C to 343°C
- Mounted externally to the process, can be maintained without interruption
- Cast aluminum epoxy coated housings
- Adjustable design allows for custom switch locations



Specifications

WRS

Switch type: Magnetic reed contact: 1 SPDT or DPDT,
Contact behavior: Bistable (magnetically latched), Switching capacity (non-inductive loads): 230V AC, 60VA, 1A or 230V DC, 30W, 0.5A

WCS

Switch type: Dry contact snap-action, Contact type: 1 SPDT,
Contact behavior: Bistable (magnetically latched), Switching capacity (non-inductive loads): 230V AC, 200VA, 5A or 230V DC, 60W, 2A

Housing Options

NEMA 4X Epoxy coated aluminum, XP//1BCDT6 aluminum or stainless or NEMA 7/9 FM class 1, division 1, group B

Electrical Approvals

FM

Hysteresis

2-3mm for WRS series, 5-10mm for WCS series

Termination Type

Terminal block

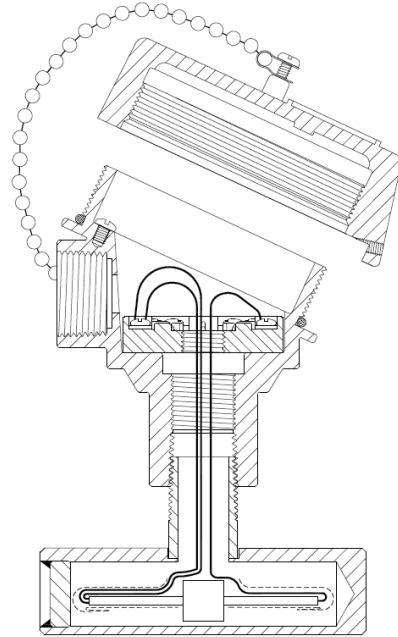
* CSA Approval available on WRS-S-AX/SX model only

WRS Options

Switch option
SPDT or DPDT

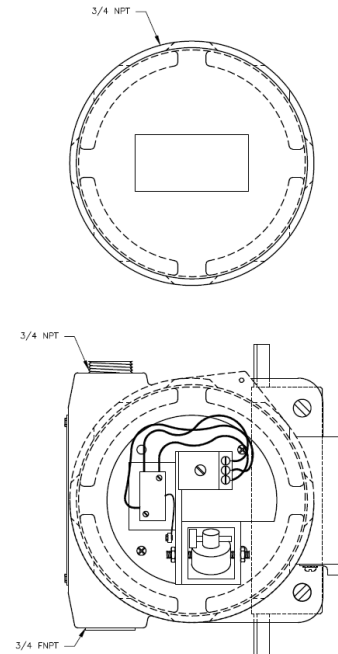
Housing style
NEMA 4X or NEMA 7/9 FM class
1, division 1, group B, CSA class
available for SPDT

High temperature
-300°F to 650°F or -184°C to
343°C



WCS Options

Switch type
5A SPDT in NEMA 7/9 FM, class 1,
division 1, group B housing



The specifications given in this document represent the state of engineering at the time of publishing. We reserve the right to make modifications to the specifications and materials.



Appendix

Type code - WRS

Option 1		Option 2	
1	Switch option	1	Switch option
	S SPDT D DPDT		S SPDT
2	Housing style	2	Housing style
	A4X Nema 4X housing ABX Nema 7/9 FM Cl 1 Div. 1 Gr. B		AX Nema 4X housing SX Stainless version
3	High temperature		
	HT High temperature, up to 650°F (standard up to 300°F) *for standard temperature, leave blank		

Ordering example

WRS - **1** - **2** - **3**
 Switch option Housing style High temperature

Type code - WCS

*Only option: 5 amp SPDT in Nema 7/9 FM Cl 1 Div. 1 Gr. B housing

	Switch
	SPDT
1	Housing style
	ABX Nema 7/9 FM Cl 1 Div. 1 Gr. B

Ordering code:

WCS - **ABX**
 Housing style