

# Level Switches Model WRS / WCS

WIKA datasheet WRS WCS



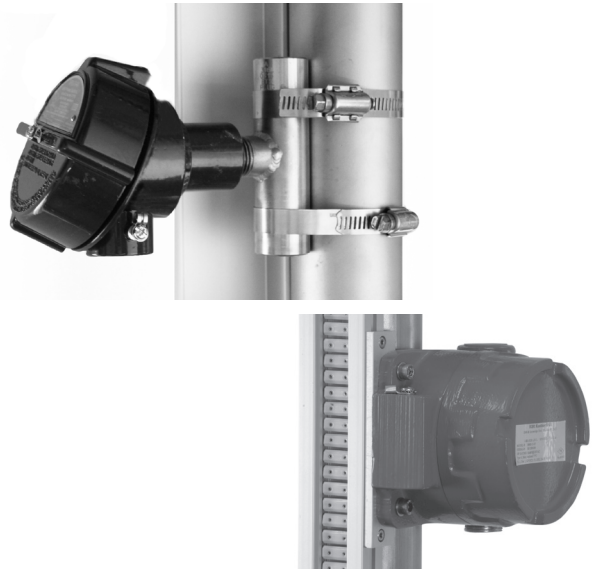
## Application

WRS and WCS series switches are suitable for most industrial and commercial applications including:

- Refinery and chemical industries
- Energy and power plant technology
- Feed water heaters and boilers
- Oil and gas industries
- Offshore exploration and drilling
- Pipeline compressor applications

## Features

- Process temperature ranges from -320°F to 650°F or -184°C to 343°C
- Mounted externally to the process, can be maintained without interruption
- Cast aluminum epoxy coated housings
- Adjustable design allows for custom switch locations



## Specifications

### WRS

Switch type: Magnetic reed contact: 1 SPDT or DPDT, Contact behavior: Bistable (magnetically latched), Switching capacity (non-inductive loads): 230V AC, 60VA, 1A or 230V DC, 30W, 0.5A

### WCS

Switch type: Dry contact snap-action, Contact type: 1 SPDT, Contact behavior: Bistable (magnetically latched), Switching capacity (non-inductive loads): 230V AC, 200VA, 5A or 230V DC, 60W, 2A

### Housing Options

NEMA 4X Epoxy coated aluminum, XP/II/1BCDT6 aluminum or stainless or NEMA 7/9 FM class 1, division 1, group B

### Electrical Approvals

FM

### Hysteresis

2-3mm for WRS series, 5-10mm for WCS series

### Termination Type

Terminal block

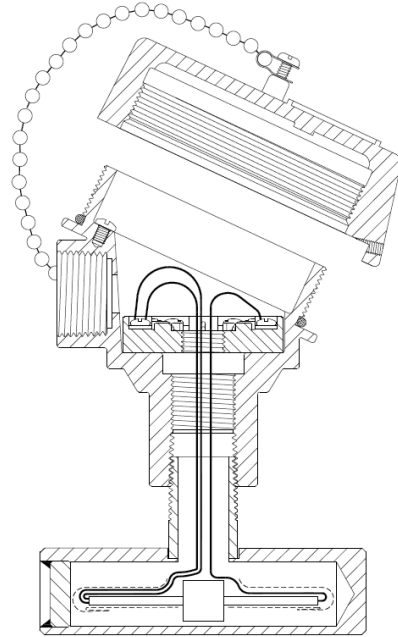
\* CSA Approval available on WRS-S-AX/SX model only

## WRS Options

Switch option  
SPDT or DPDT

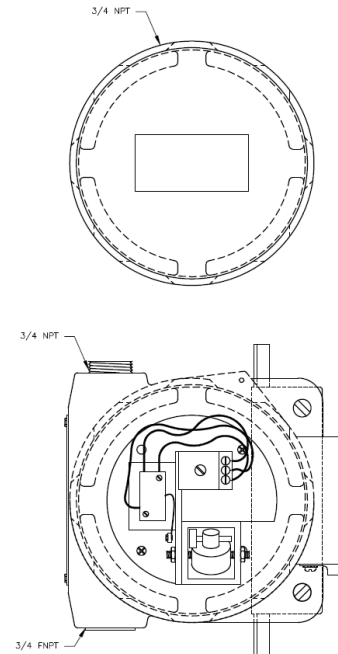
Housing style  
NEMA 4X or NEMA 7/9 FM class  
1, division 1, group B, CSA class  
available for SPDT

High temperature  
-300°F to 650°F or -184°C to  
343°C



## WCS Options

Switch type  
5A SPDT in NEMA 7/9 FM, class 1,  
division 1, group B housing



The specifications given in this document represent the state of engineering at the time of publishing. We reserve the right to make modifications to the specifications and materials.



**Gayesco-WIKA USA**  
229 Beltway Green Boulevard  
Pasadena, Texas 77503  
Tel. +1 713 475 0022  
Fax +1 713 475 0011  
info@wikahouston.com  
www.wika.com

# Appendix

## Type code - WRS

Option 1		Option 2	
<b>1</b>	<b>Switch option</b>	<b>1</b>	<b>Switch option</b>
	<b>S</b> SPDT <b>D</b> DPDT		<b>S</b> SPDT
<b>2</b>	<b>Housing style</b>	<b>2</b>	<b>Housing style</b>
	<b>A4X</b> Nema 4X housing <b>ABX</b> Nema 7/9 FM Cl 1 Div. 1 Gr. B		<b>AX</b> Nema 4X housing <b>SX</b> Stainless version
<b>3</b>	<b>High temperature</b>		
	<b>HT</b> High temperature, up to 650°F (standard up to 300°F) *for standard temperature, leave blank		

### Ordering example

**WRS** - **1** - **2** - **3**  
 Switch option      Housing style      High temperature

## Type code - WCS

\*Only option: 5 amp SPDT in Nema 7/9 FM Cl 1 Div. 1 Gr. B housing

	<b>Switch</b>
	SPDT
<b>1</b>	<b>Housing style</b>
	<b>ABX</b> Nema 7/9 FM Cl 1 Div. 1 Gr. B

### Ordering code:

**WCS** - **ABX**  
 Housing style