



INLINE SEAL™ Type Diaphragm Seal

Sanitary INLINE™ Diaphragm Seal

Type L981.18

Diaphragm Seals

Application

Food & Beverage and Pharmaceutical industry diaphragm seal to combine with Bourdon tube pressure gauges. Intended for hygienic, rapidly flowing corrosive, contaminate, hot or light to medium viscous pressure media.

Design

Body with cylindrical diaphragm to be installed between DIN 11851 connections. Requires hydraulic fluid to transmit pressure to instrument.

Process Connection

DN25 to DN80 per DIN 11851

Instrument Connection

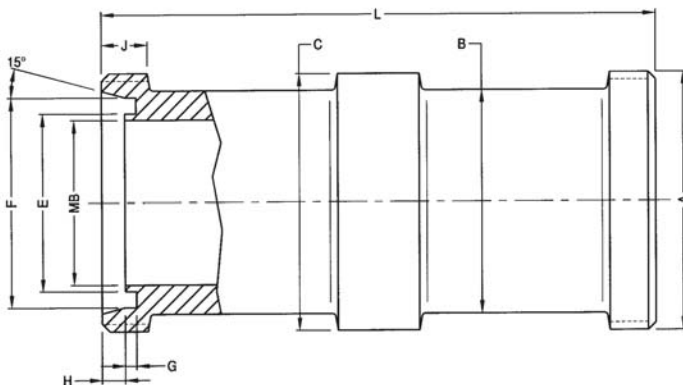
Capillary, ¼" or ½" NPT-female

Suitable Pressure Ranges

15 psi to 600 psi

Available Options (connections, materials, etc.)

See Selection Guide (over)



MB=INTERNAL DIAMETER
MWP=MAXIMUM WORKING PRESSURE @ 250°F
HIGHER RATING WITH APPROPRIATE CLAMPING DEVICE
ALL DIMENSIONS IN INCHES UNLESS OTHERWISE NOTED

DN	MWP	A	B	C	E	G	H	J	L	MB
mm	psi									
15	600	Rd34x1/8	1.10	1.57	0.71	0.12	0.16	0.47	4.1	0.63
25	600	Rd52x1/6	1.50	2.05	1.18	0.14	0.28	0.55	5.0	1.02
40	600	Rd65x1/6	2.17	2.56	1.65	0.14	0.28	0.55	6.3	1.50
50	360	Rd78x1/6	2.68	3.07	2.13	0.14	0.28	0.55	6.7	1.97
65	360	Rd95x1/6	3.35	3.74	2.80	0.14	0.31	0.63	7.2	2.60
80	360	Rd110x1/4	4.33	4.33	3.35	0.14	0.31	0.79	7.2	3.19
100	360	Rd130x1/4	5.12	5.12	4.09	0.16	0.39	0.79	7.2	3.94

DWG.#2212358-5

To determine the effects of temperature and response time in a specific application, contact the factory for an **Application Questionnaire**. The information provided will allow WIKA Technical Support to accurately model your application parameters using state-of-the-art computer simulation techniques.

L981.18
(ACS98.04T)

Selection Guide - Type L981.18

L981.18 A D82 0260, A2, Z, 4, A

System fillport

A = without
C = M6 System fillport

Instrument Connection

6 = Capillary connection
3 = 1/2" NPT-female
4 = 1/4" NPT female

Gasket (to process)

Z = without
G = NBR
E = PTFE

Material, wetted parts

A2 = 316L (1.4435)
?? = other please specify

Probe I/D

0260 = 1.024" (26.0mm) Standard for DN25
0380 = 1.496" (38.0mm) Standard for DN40
0500 = 1.969" (50.0mm) Standard for DN50
0660 = 2.598" (66.0mm) Standard for DN65
0810 = 3.189" (81.0mm) Standard for DN80

Process Connection

D82 = DN25
D83 = DN40
D84 = DN50
D91 = DN65
D85 = DN80
??? = other, please specify

Process Connection Style

B = Threaded connection (Thread DIN 405) from C
A = Union Nut (Thread DIN 405) from D-F

INLINE™ Seal Design

L981.18 = INLINE™ sanitary diaphragm seal DIN 11851

Options not listed may be available, please consult factory.
Fill Fluid & Mounting options: Please reference data sheet ACS 99.MO.

THE MEASURE OF
Total Performance™

Ordering Information:

State computer part number (if available) / type number / size / range / connection size and location / options required.

Specifications given in this price list represent the state of engineering at the time of printing.
Modifications may take place and the specified materials may change without prior notice

05/01



WIKAL Instrument Corporation

1000 Wiegand Boulevard

Lawrenceville, Georgia 30043-5868

Tel: 770-513-8200 Fax: 770-338-5118

<http://www.wika.com> e-mail: chemseal@wika.com