

Diaphragm - Type Diaphragm Seal

Type L990.12 - Standard Welded Diaphragm Flanged Seal

WIKA Datasheet L990.12

Applications

Process industry diaphragm seal to combine with Bourdon tubepressure gauges. Intended for corrosive, contaminated, hot or viscous pressure media

Design

Internal welded diaphragm with threaded process connection; requires hydraulic fluid to transmit pressure to instrument.

Process Connection

1/2" to 1 1/2" per ASME B16.5

Instrument Connection

Capillary, 1/4" or 1/2" NPT-female

Suitable Pressure Ranges

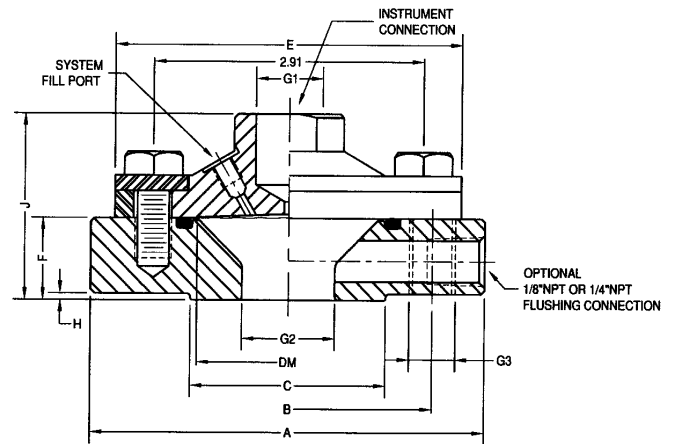
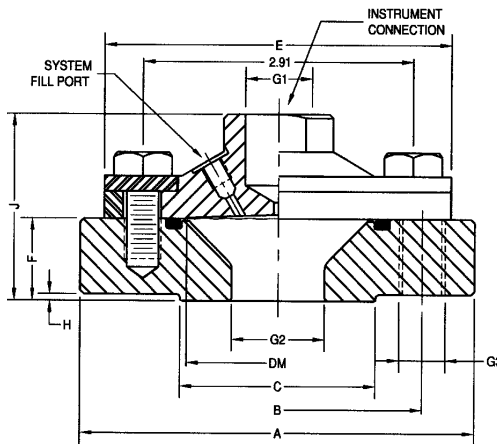
15 psi to Class 1500

Available Options (connections, materials, flushing ports, etc.)

See Selection Guide (page 2 of 2)



Standard Welded Diaphragm Flanged Seal Model L990.12



DM: EFFECTIVE DIAPHRAGM DIAMETER
 G1: INSTRUMENT CONNECTION
 G2: PROCESS CONNECTION
 ALL DIMENSIONS IN INCHES UNLESS OTHERWISE NOTED

G1	G2	G3	A	B	C	DM	E	F	H	J	WEIGHT																																																																		
											lbs																																																																		
1/4\"/> <tr> <td>1/2" 150#</td> <td>4x1/2"-13UNC</td> <td>3.50</td> <td>2.38</td> <td rowspan="3">1.38</td> <td rowspan="6">2.00</td> <td rowspan="6">2.1</td> <td rowspan="6">3.74</td> <td>1.10</td> <td>0.06</td> <td>2.20</td> <td>4.3</td> </tr> <tr> <td>1/2" 300#</td> <td>4x1/2"-13UNC</td> <td>3.75</td> <td>2.62</td> <td>1.10</td> <td>0.06</td> <td>2.20</td> <td>4.3</td> </tr> <tr> <td>1/2" 600#</td> <td>4x1/2"-13UNC</td> <td>3.75</td> <td>2.62</td> <td>1.26</td> <td>0.25</td> <td>2.36</td> <td>4.4</td> </tr> <tr> <td>1" 150#</td> <td>4x1/2"-13UNC</td> <td>4.25</td> <td>3.12</td> <td>0.87</td> <td>0.06</td> <td>1.97</td> <td>4.4</td> </tr> <tr> <td>1" 300#</td> <td>4x5/8"-11UNC</td> <td>4.88</td> <td>3.50</td> <td>0.87</td> <td>0.06</td> <td>1.97</td> <td>8.5</td> </tr> <tr> <td>1" 600#</td> <td>4x5/8"-11UNC</td> <td>4.88</td> <td>3.50</td> <td>1.26</td> <td>0.25</td> <td>2.36</td> <td>8.5</td> </tr> <tr> <td>2" 150#</td> <td>4x5/8"-11UNC</td> <td>6.00</td> <td>4.75</td> <td>0.87</td> <td>0.06</td> <td>1.97</td> <td>6.1</td> </tr> <tr> <td>2" 300#</td> <td>8x0.75</td> <td>6.50</td> <td>5.00</td> <td>3.62</td> <td>0.89</td> <td>0.06</td> <td>1.99</td> <td>8.5</td> </tr> <tr> <td>2" 600#</td> <td>8x0.75</td> <td>6.50</td> <td>5.00</td> <td>1.28</td> <td>0.25</td> <td>2.38</td> <td>10.0</td> </tr>	1/2" 150#	4x1/2"-13UNC	3.50	2.38	1.38	2.00	2.1	3.74	1.10	0.06	2.20	4.3	1/2" 300#	4x1/2"-13UNC	3.75	2.62	1.10	0.06	2.20	4.3	1/2" 600#	4x1/2"-13UNC	3.75	2.62	1.26	0.25	2.36	4.4	1" 150#	4x1/2"-13UNC	4.25	3.12	0.87	0.06	1.97	4.4	1" 300#	4x5/8"-11UNC	4.88	3.50	0.87	0.06	1.97	8.5	1" 600#	4x5/8"-11UNC	4.88	3.50	1.26	0.25	2.36	8.5	2" 150#	4x5/8"-11UNC	6.00	4.75	0.87	0.06	1.97	6.1	2" 300#	8x0.75	6.50	5.00	3.62	0.89	0.06	1.99	8.5	2" 600#	8x0.75	6.50	5.00	1.28	0.25	2.38	10.0
	1/2" 150#	4x1/2"-13UNC	3.50	2.38					1.38	2.00	2.1	3.74	1.10	0.06	2.20	4.3																																																													
	1/2" 300#	4x1/2"-13UNC	3.75	2.62									1.10	0.06	2.20	4.3																																																													
	1/2" 600#	4x1/2"-13UNC	3.75	2.62	1.26								0.25	2.36	4.4																																																														
	1" 150#	4x1/2"-13UNC	4.25	3.12	0.87				0.06				1.97	4.4																																																															
	1" 300#	4x5/8"-11UNC	4.88	3.50	0.87				0.06				1.97	8.5																																																															
	1" 600#	4x5/8"-11UNC	4.88	3.50	1.26	0.25	2.36	8.5																																																																					
	2" 150#	4x5/8"-11UNC	6.00	4.75	0.87	0.06	1.97	6.1																																																																					
	2" 300#	8x0.75	6.50	5.00	3.62	0.89	0.06	1.99	8.5																																																																				
	2" 600#	8x0.75	6.50	5.00	1.28	0.25	2.38	10.0																																																																					

DWG.#2211696-5

To determine the effects of temperature and response time in a specific application, contact the factory for an **Application Questionnaire**. The information provided will allow WIKA Technical Support to accurately model your application parameters using state-of-the-art computer simulation techniques.

Selection Guide - L990.12

990.12, 1/4X1.0-150R, CS, CS-0, CS, SS, VI

Gasket Material (See note 9)

VI = Viton®
 BN = Buna "N"
 TF = Teflon®, virgin
 AS = Stainless steel, silver-plated
 NA = None (See note 8)

Diaphragm Material

SS = 316L stainless steel
 MO = Monel® 400
 HB = Hastelloy® B-2
 HC = Hastelloy® C-276
 PF = 316 stainless steel, Teflon® coated
 TF = 316 stainless steel, virgin Teflon® lined
 TA = Tantalum
 TI = Titanium, grade 2 (See note 7)
 NI = Nickel 200
 IN = Inconel® 600
 IC = Incoloy® 825
 CA = Carpenter® 20
 SA = 316 SS, gold-plated
 VI = Viton® (See note 6)

Clamp & Support Material (Including bolts)

CS = Carbon Steel, zinc-plated
 SS = Stainless steel
 HS = High temperature stainless steel (See note 5)
 NA = None (See note 4)

Flushing Connection (See note 3)

0 = None
 1 = 1/8" NPT female
 2 = 1/4" NPT female

Lower Housing Material

CS = Carbon steel, nickel-plated
 SS = 316L stainless steel
 MO = Monel® 400
 HB = Hastelloy® B-2
 HC = Hastelloy® C-276
 CC = Carbon steel, nickel-plated Teflon® lined, carbon
 CW = Carbon steel, nickel-plated Teflon® lined, virgin
 SC = 316 stainless steel, Teflon® lined, carbon
 SW = 316 stainless steel, Teflon® lined, white
 TC = Carbon steel, nickel-plated, Teflon® coated
 TS = 316 stainless steel, Teflon® coated
 TA = Tantalum
 TI = Titanium, grade 2
 NI = Nickel 200
 IN = Inconel® 600
 IC = Incoloy® 825
 CA = Carpenter® 20

Upper Housing Material

CS = Carbon steel, nickel-plated
 SS = 316L stainless steel
 TI = Titanium, grade 2

Flange Rating (Other facings available)

150R = 150#RF
 300R = 300#RF
 600R = 600#RF
 15XR = 900#/1500#RF
 XXXX = Other (Define flange connection on purchase order)

Process Connection (per ASME B16.5)

1.0 = 1" Pipe
 1/2 = 1/2" Pipe
 3/4 = 3/4" Pipe
 1.5 = 1.5" Pipe
 2.0 = 2" Pipe

Instrument Connection

1/4 = 1/4" NPT female
 1/2 = 1/2" NPT female
 CPL = Capillary connection (To weld capillary directly to seal, see note 2)

Diaphragm Seal Design
 L990.12 = Welded Diaphragm (See note 1)

Notes

1. Includes previous type 990.12.602.
2. Capillary connection requires a stainless steel upper housing.
3. Available with solid lower housing only.
4. For all welded design 990.12.620 only.
5. Bolts only. Clamp ring, support ring are 316 stainless steel. Requires silver-plated stainless steel gasket.
6. Viton® diaphragm is available for clamped design only.
7. For titanium diaphragm welded to upper housing, a titanium upper housing is required.
8. For Teflon® lower housing and all welded design (990.12.620) only. All other lower housings require gaskets.
9. Standard material for stainless steel and carbon steel wetted parts is Viton® (400°F max.). Teflon® is standard for all other wetted parts (500°F max.). Silver-plated stainless steel gasket is used for high temperature applications (752°F max.).

Items in **bold** are available from stock (subject to prior sales). For optional items, consult factory for current lead-time.

Options not listed may be available, please consult factory.
 Fill Fluid & Mounting options: Please reference datasheet ACS 99.MO

Ordering information

Pressure gauge model / Nominal size / Scale range / Size of connection / Optional extras required
 Specifications and dimensions given in this leaflet represent the state of engineering at the time of printing.
 Modifications may take place and materials specified may be replaced by others without prior notice.



WIKA Instrument Corporation

1000 Wiegand Boulevard
 Lawrenceville, GA 30043
 Tel (770) 513-8200 Toll-free 1-888-WIKA-USA
 Fax (770) 338-5118
 E-Mail info@wika.com
 www.wika.com