

Diaphragm-Type Threaded Sanitary Diaphragm Seal Type L990.18

WIKA Datasheet L990.18

Applications

- Food & Beverage
- Pharmaceutical Industry
- Hygienic Pressure Media



L990.18 Threaded DIN 11851 Diaphragm Seal

Standard Features

Design

External, flush diaphragm and female or male hygienic – type connection, which requires hydraulic fluid to transmit pressure to the measuring instrument.

Process Connection

DN25 to DN80 per DIN11851

Instrument Connection

Capillary, 1/4" or 1/2" NPT-female

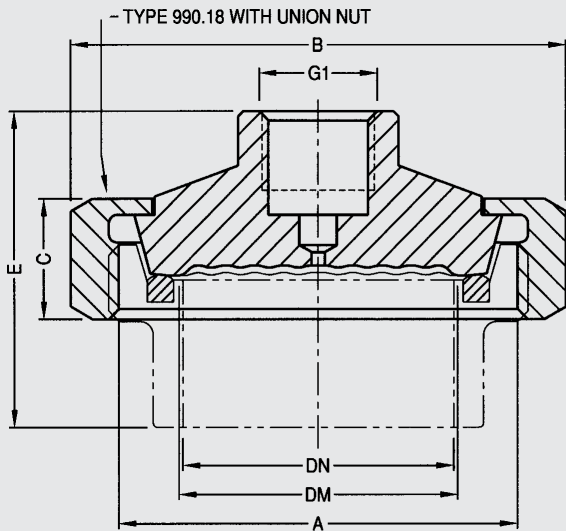
Suitable Pressure Ranges

15 psi to 600 psi

Available Options (connections, materials, etc.)

See Selection Guide (over)

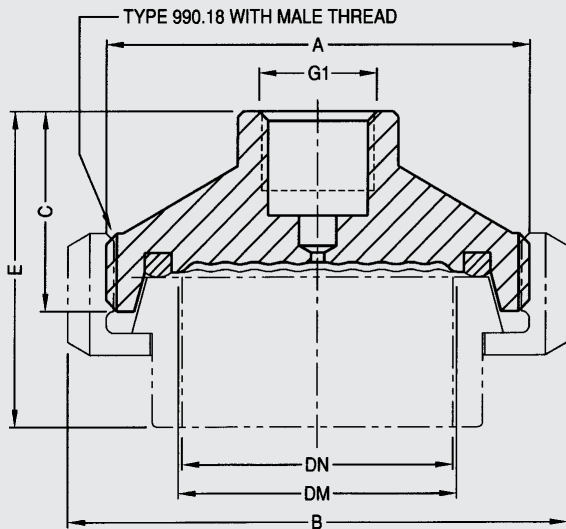
To determine the effects of temperature and response time in a specific application, contact the factory for an **Application Questionnaire**. The information provided will allow WIKA Technical Support to accurately model your application parameters using state-of-the-art computer simulation techniques.



DN=NOMINAL PIPE SIZE
DM=EFFECTIVE DIAPHRAGM DIAMETER
ALL DIMENSIONS IN INCHES UNLESS OTHERWISE NOTED

DN	MWP	A	B	C	DM	E	G1	WEIGHT
[mm]	psi	[mm]						lbs
25	600	Rd52x1/6	2.48	0.83	1.0	2.36	1/4NPT OR 1/2NPT FEMALE	1.3
32	600	Rd58x1/6	2.76	0.83	1.3	2.72		1.6
40	600	Rd65x1/6	3.07	0.83	1.6	2.17		2.5
50	360	Rd78x1/6	3.62	0.87	2.1	2.32		2.8

DWG.#2211971-5



DN=NOMINAL PIPE SIZE
DM=EFFECTIVE DIAPHRAGM DIAMETER
ALL DIMENSIONS IN INCHES UNLESS OTHERWISE NOTED

DN	MWP	A	B	C	DM	E	G1	WEIGHT
[mm]	psi	[mm]						lbs
40	600	Rd65x1/6	3.07	1.42	1.6	2.17	1/4NPT OR 1/2NPT FEMALE	2.8
50	360	Rd78x1/6	3.62	1.42	2.1	2.24		3.0

DWG.#2211971-5

Selection Guide - L990.18

L990.18,1/4X25,SS,SS,NA,U

Options (See note 4)
U = Upper housing with union nut

Sealing Ring Material (See note 5)
NA = Without sealing ring

Diaphragm Material (See note 3)
SS = 316 stainless steel
MO = Monel® 400
HC = Hastelloy® C-276
HB = Hastelloy® B-2
NI = Nickel 200
TI = Titanium, grade 2

Upper Housing Material (See notes 2 & 3)
SS = 316 stainless steel
MO = Monel® 400
HC = Hastelloy® C-276
HB = Hastelloy® B-2
NI = Nickel 200
TI = Titanium, grade 2

Process Connection

25 = DN 25
32 = DN 32
40 = DN 40
50 = DN 50 (See note 1)
80 = DN 80

Instrument Connection

1/4 = 1/4" NPT female
1/2 = 1/2" NPT female
CPL = Capillary connection (To weld capillary directly to seal)

Diaphragm Seal Design (MWP = 600 PSI)

L990.18 = Sanitary Seal with Threaded Connection

Notes

1. Maximum working pressure is 400 PSI.
2. Upper housing is a process wetted component.
3. Upper housing and diaphragm material must be the same.
4. Union nut is a process wetted component.
5. Buna "N" and Teflon® sealing rings are sold separately, please consult factory.

Items in bold are available from stock (subject to prior sales). For optional items, consult factory for current lead-time.

Options not listed may be available, please consult factory.

Fill Fluid & Mounting options: Please reference data sheet ACS 90.MO

Specifications given in this price list represent the state of engineering at the time of printing. Modifications may take place and the specified materials may change without prior notice



WIKA Instrument Corporation
1000 Wiegand Boulevard
Lawrenceville, GA 30043-5868
Tel: 888-WIKA-USA • 770-513-8200
Fax: 770-338-5118
E-Mail: info@wika.com
www.wika.com