

Threaded Process Connection, Diaphragm Seals Model 990.31, Plastic Design

WIKA Data Sheet DS 99.02

Applications

- Process instrumentation of chemical plants
- Plating industry
- Waste water treatment
- Fertiliser industry

Special Features

- All-plastic design
- Metal-free
- Process connection with thread for direct mounting, but also suitable for bonding (PVC-U) or welding (PP, PVDF)



Diaphragm Seal, Threaded Process Connection, Plastic Design
Model 990.31 with Pressure Gauge Model 232.50 NS 100

Description

Pressure rating

PN 10 (with water, 20 °C)

Suitable pressure ranges

0 ... 1 bar to 0 ... 10 bar

not suitable for + / - ranges and vacuum ranges

Operating pressure and process temperature

See also diagram pressure-temperature rating on page 2

Upper housing (instrument connection)

- G ¼ female
- G ½ female

Material:

PP (polypropylene), fibre-glass reinforced, blue RAL 5022

Diaphragm with sealing ring

EPDM, with PTFE foil on the medium side

Lower housing (process connection)

- d 25, G ¼ female (optional ¼ NPT)
- d 32, G ½ female (optional ½ NPT)

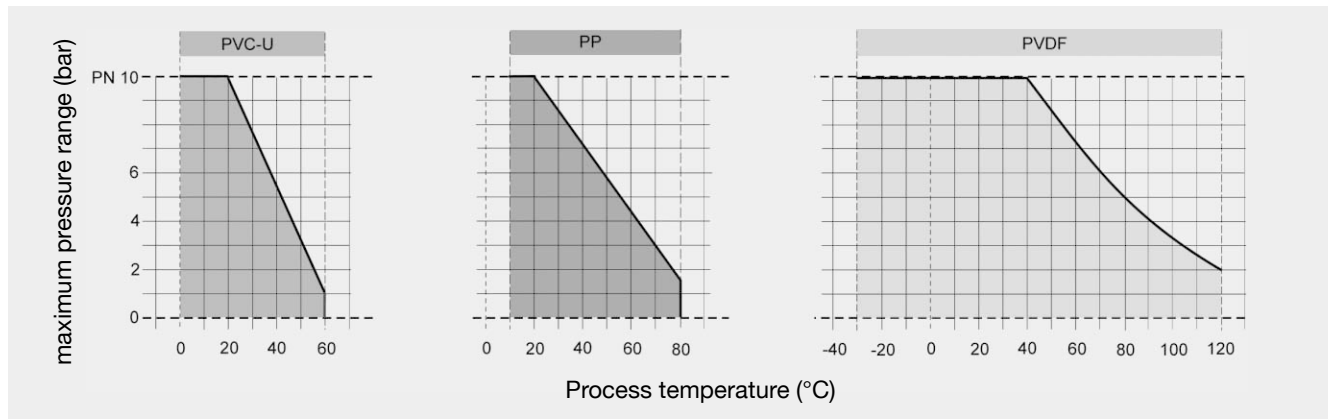
Material:

- PVC-U (polyvinyl chloride), grey RAL 7011
 - PP (polypropylene), grey-beige RAL 7032
 - PVDF (polyvinylidene fluoride), opaque, yellowish white
- Multi-purpose connection, optionally via threaded neck, bonding neck (PVC-U) or welding neck (PP, PVDF)

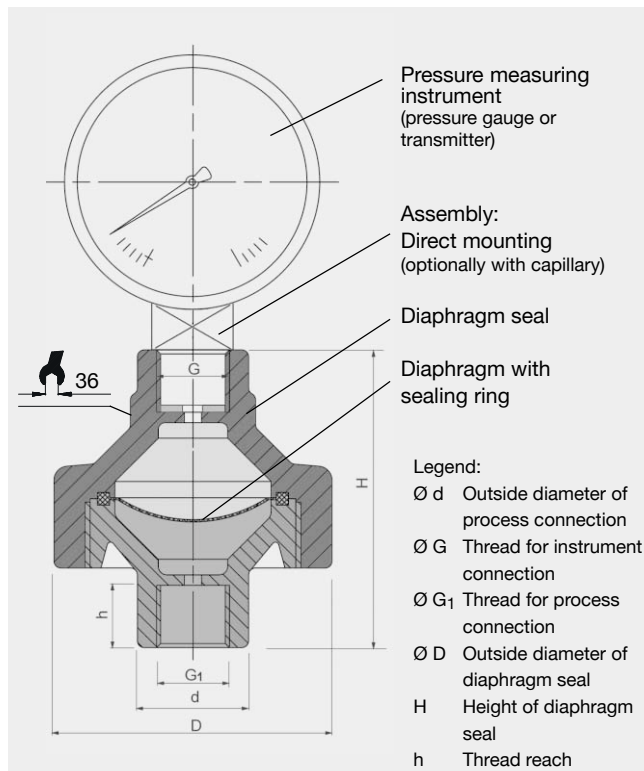
Mounting position

any position possible, preferably measuring instrument on top

Pressure-Temperature Rating



Example of a diaphragm seal Model 990.31 with mounted pressure measuring instrument



Dimensions in mm

Dimensions in mm						Weight in kg		
d	DN ¹⁾	G/G ₁	D	H ±1,5	h	PVC-U	PP	PVDF
25	20	¼"	80	86	18	0.25	0.18	0.31
32	25	½"	80	86	22	0.46	0.32	0.59

1) DN = Nominal diameter of the suitable connection pipe (process connection)

Ordering information

Model / Process connection / Material of lower housing / Instrument connection / Assembly / Fill fluid / Pressure gauge model / Process conditions as per questionnaire / Optional extras required

Modifications may take place and materials specified may be replaced by others without prior notice. Specifications and dimensions given in this leaflet represent the state of engineering at the time of printing.



WIKAL Alexander Wiegand GmbH & Co. KG
 Alexander-Wiegand-Straße 30
 63911 Klingenberg/Germany
 Phone (+49) 93 72/132-0
 Fax (+49) 93 72/132-406
 E-Mail info@wika.de
 www.wika.de