

L20/L25

Side Mounted Stainless Steel Liquid Level Switch

OVERVIEW

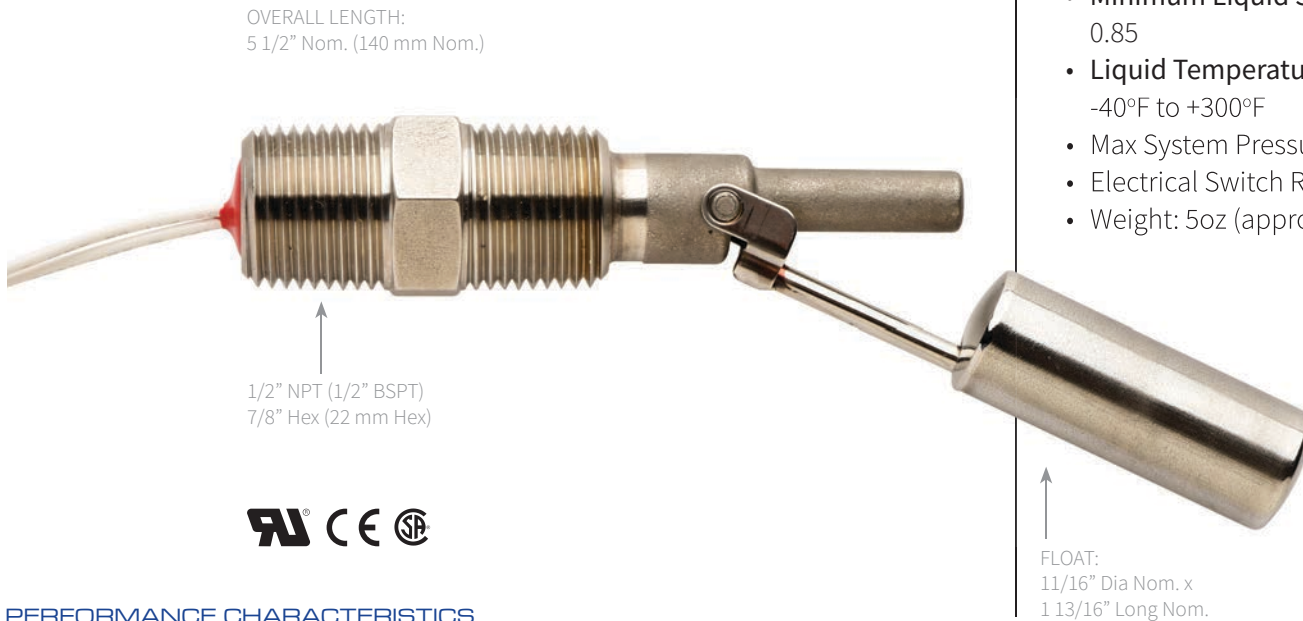
The Whitman Controls L20 / L25 Series Side Mounted 316L Stainless Steel Liquid Level Switches are commonly used in potable water, hot water, various acids, and in solvents. The side mount provides added versatility, allowing the switch to be used as a high or low level indicator, and stainless steel body provides use up to 500 PSI. These are most often used in many O.E.M. and various other custom industrial applications. These are available with several options as specified by the user.

KEY FEATURES

- Whitman Red Seal potting submersible to a NEMA 6 rating
- 316 / 316L Stainless steel stem and float
- Side mounted
- Extensive operating temperature range
- SPST availability

SPECIFICATIONS

- **Wetted Materials:** 316 / 316L Stainless Steel
- **Minimum Liquid Specific Gravity:** 0.85
- **Liquid Temperature range:** -40°F to +300°F
- Max System Pressure: 500 PSIG
- Electrical Switch Rating: 50 VA
- Weight: 5oz (approx.)



PERFORMANCE CHARACTERISTICS

	L20 Series	L25 Series
Fitting	1/2" NPT	1/2" BSPT
Wetted Materials	316 SS	316 SS
Electrical Switch Rating	50 VA	50 VA
Temperature Range	-40°F to +257°F	-40°C to +125°C
Minimum Liquid Specific Gravity	0.85	0.85
Crush Pressure	500 PSI	35 BAR
Part Number	L20-02-S2-02-NO	L25-02-S2-02-NO

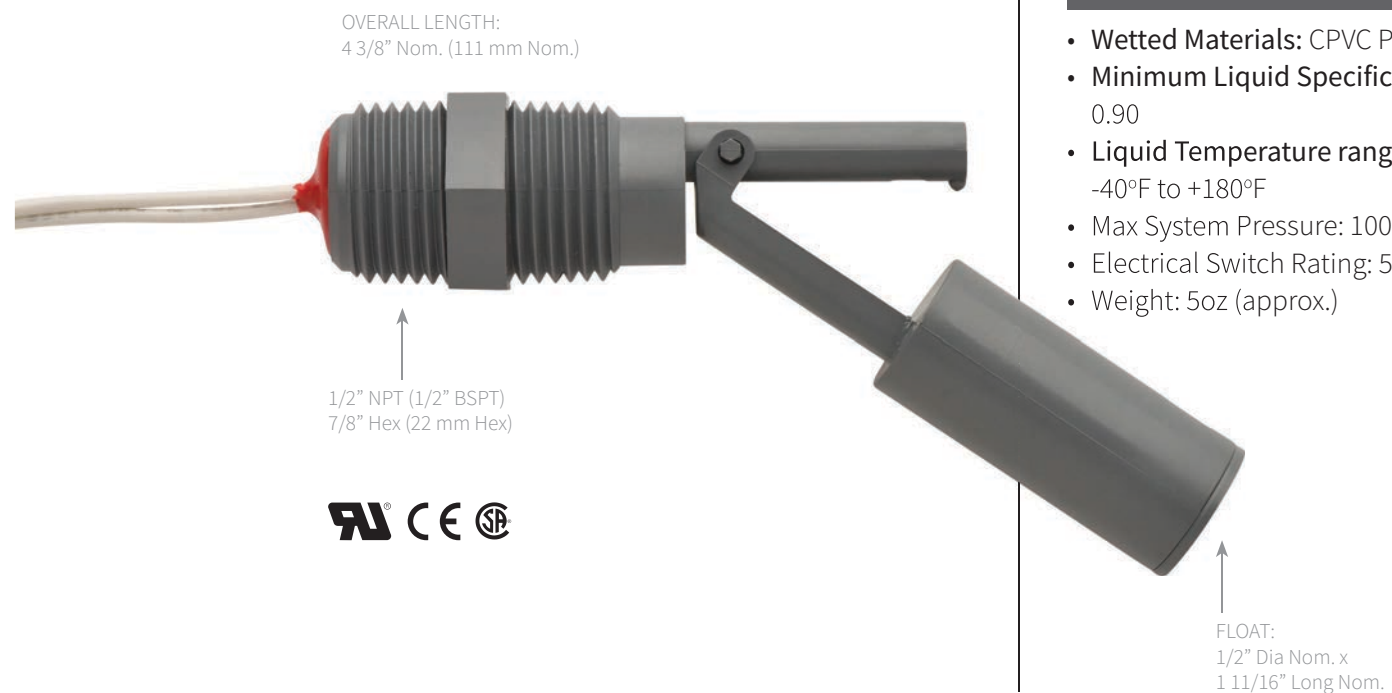
*Actuation point is roughly midway of float travel in liquid with a specific gravity of approximately 1.0
 CAUTION: Customer Media and environment must be compatible with construction materials as outlined above

L20/L25

Side Mounted CPVC Plastic Liquid Level Switch

OVERVIEW

The Whitman Controls L20 / L25 Series Side Mounted CPVC Plastic Liquid Level Switches are typically used in water and potable water applications. The side mount provides added versatility, allowing the switch to be used as a high or low level indicator, and plastic body provides use up to 100 PSI. These are most often used in many O.E.M. and various other custom industrial applications. These are available with several options as specified by the user.



KEY FEATURES

- Whitman Red Seal potting submersible to a NEMA 6 rating
- CPVC Plastic
- Side mounted
- Extensive operating temperature range
- SPST availability

SPECIFICATIONS

- **Wetted Materials:** CPVC Plastic
- **Minimum Liquid Specific Gravity:** 0.90
- **Liquid Temperature range:** -40°F to +180°F
- Max System Pressure: 100 PSIG
- Electrical Switch Rating: 50 VA
- Weight: 5oz (approx.)

PERFORMANCE CHARACTERISTICS

	L20 Series	L25 Series
Fitting	1/2" NPT	1/2" BSPT
Wetted Materials	CPVC	CPVC
Electrical Switch Rating	50 VA	50 VA
Temperature Range	-40°F to +180°F	-40°C to +82°C
Minimum Liquid Specific Gravity	0.90	0.90
Crush Pressure	100 PSI	7 BAR
Lead Wires	20 AWG 24" PVC	20 AWG 600mm PVC
Part Number	L20-16-S1-16-NO	L25-16-S1-16-NO

*Actuation point is roughly midway of float travel in liquid with a specific gravity of approximately 1.0

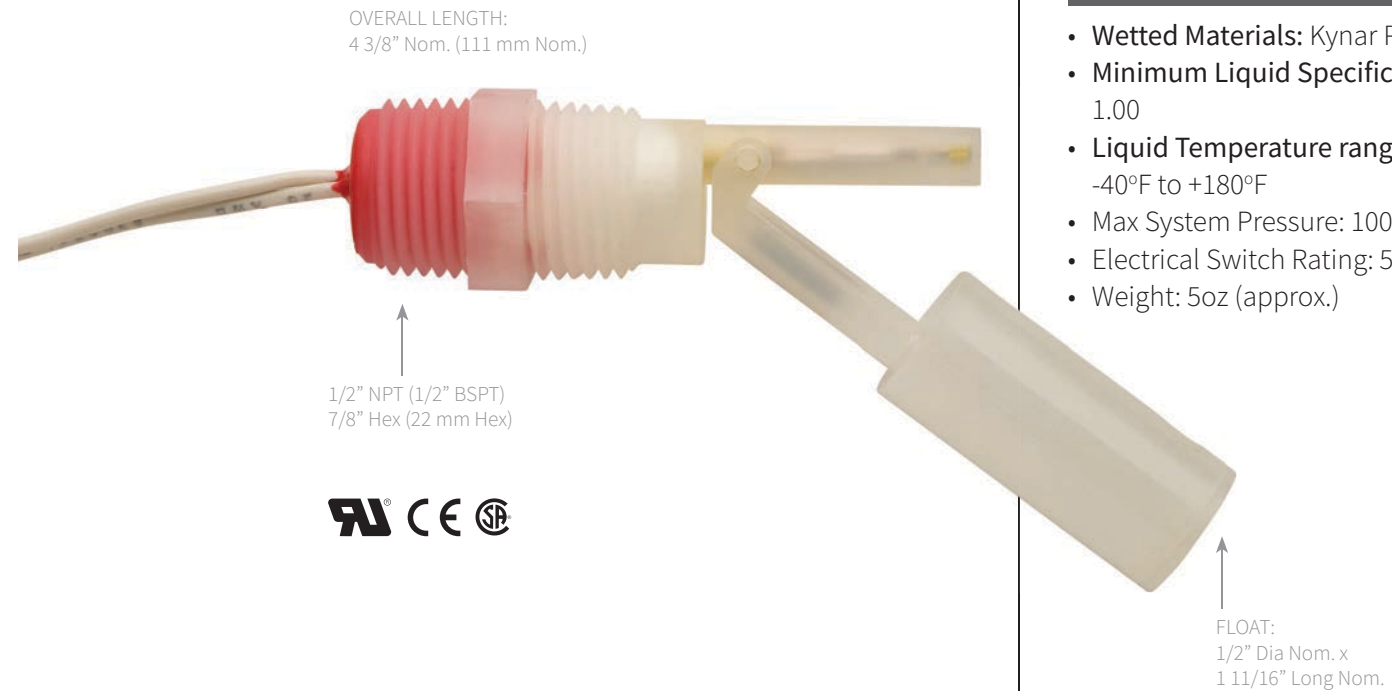
CAUTION: Customer Media and environment must be compatible with construction materials as outlined above

L20/L25

Side Mounted Kynar Plastic Liquid Level Switch

OVERVIEW

The Whitman Controls L20 / L25 Series Side Mounted Kynar Plastic Liquid Level Switches are typically used with solvents and certain bases. The side mount provides added versatility, allowing the switch to be used as a high or low level indicator, and plastic body provides use up to 100 PSI. These are most often used in many O.E.M. and various other custom industrial applications. These are available with several options as specified by the user.



KEY FEATURES

- Whitman Red Seal potting submersible to a NEMA 6 rating
- Kynar Plastic
- Side mounted
- Extensive operating temperature range
- SPST availability

SPECIFICATIONS

- **Wetted Materials:** Kynar Plastic
- **Minimum Liquid Specific Gravity:** 1.00
- **Liquid Temperature range:** -40°F to +180°F
- Max System Pressure: 100 PSIG
- Electrical Switch Rating: 50 VA
- Weight: 5oz (approx.)

PERFORMANCE CHARACTERISTICS

	L20 Series	L25 Series
Fitting	1/2" NPT	1/2" BSPT
Wetted Materials	Kynar	Kynar
Electrical Switch Rating	50 VA	50 VA
Temperature Range	-40°F to +180°F	-40°C to +82°C
Minimum Liquid Specific Gravity	1.00	1.00
Crush Pressure	100 PSI	7 BAR
Lead Wires	20 AWG 24" PVC	20 AWG 600mm PVC
Part Number	L20-17-S1-17-NO	L25-17-S1-17-NO

*Actuation point is roughly midway of float travel in liquid with a specific gravity of approximately 1.0

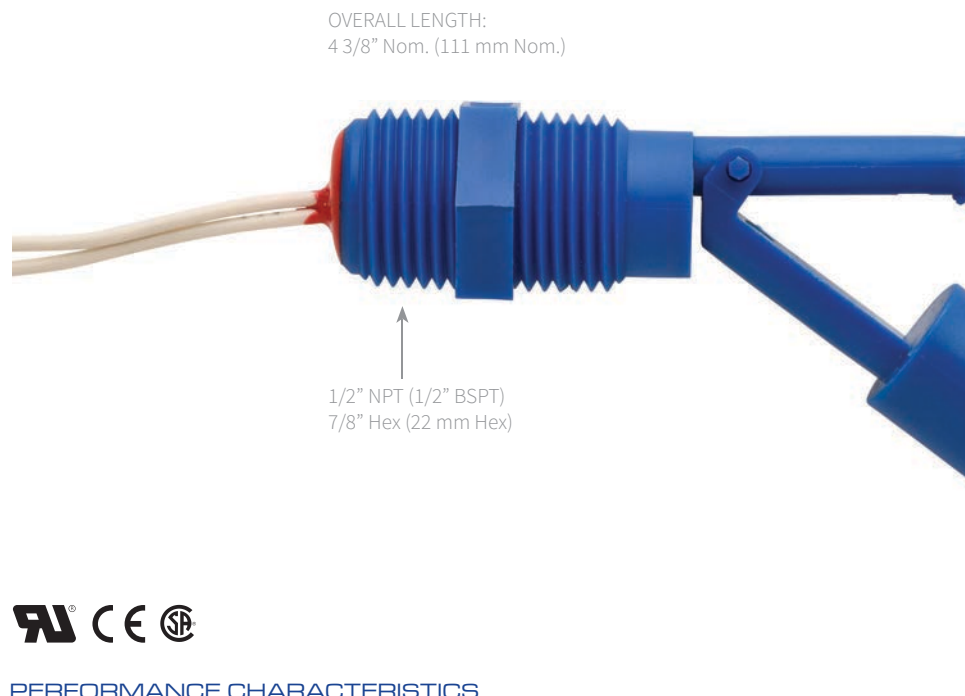
CAUTION: Customer Media and environment must be compatible with construction materials as outlined above

L20/L25

Side Mounted Polypropylene Liquid Level Switch

OVERVIEW

The Whitman Controls L20 / L25 Series Side Mounted Polypropylene Liquid Level Switches are among the most versatile and durable of the side-mounted liquid level switch line. The polypropylene wetted material makes the switch highly compatible with numerous liquids from acids, to water, to bases. The side mount provides added versatility, allowing the switch to be used as a high or low level indicator, and plastic body provides use up to 100 PSI. These are most often used in many O.E.M. applications. These are available with several options as specified by the user.



PERFORMANCE CHARACTERISTICS

	L20 Series	L25 Series
Fitting	1/2" NPT	1/2" BSPT
Wetted Materials	Polypropylene	Polypropylene
Electrical Switch Rating	50 VA	50 VA
Temperature Range	-40°F to +180°F	-40°C to +82°C
Minimum Liquid Specific Gravity	0.70	0.70
Crush Pressure	100 PSI	7 BAR
Lead Wires	20 AWG 24" PVC	20 AWG 600mm PVC
Part Number	L20-20-S1-20-NO	L25-20-S1-20-NO

*Actuation point is roughly midway of float travel in liquid with a specific gravity of approximately 1.0
 CAUTION: Customer Media and environment must be compatible with construction materials as outlined above

KEY FEATURES

- Whitman Red Seal potting submersible to a NEMA 6 rating
- Polypropylene
- Side mounted
- Extensive operating temperature range
- SPST availability

SPECIFICATIONS

- **Wetted Materials:** Polypropylene
- **Minimum Liquid Specific Gravity:** .70
- **Liquid Temperature range:** -40°F to +180°F
- Max System Pressure: 100 PSIG
- Electrical Switch Rating: 50 VA
- Weight: 5oz (approx.)