

## Simplicity In Design With Greater Reliability And Economical Performance

Reduce your chemical usage and maintenance cost with WellMark's CIP Chemical Injection Pump and W25 Timer.

### Chemical Injection Pump

#### Features

- New W25 Stand-Alone Timer
- Hard Anodized Aluminum
- Duo-Seal Plunger: Self-Lubrication
- Threaded Exhaust Ports
- Speed and Stroke Adjustment
- Economical Light Weight Design
- Air or Gas Operated
- 35:1 to 80:1 Power Head to Fluid End Ratio
- Discharge Pressures from 1700-6500 psi
- FlouroMyte Plunger Packing with Buna N O-Spring Energizer

#### Application

The Series CIP is a positive displacement pump used to inject chemicals into a line under pressure. Applications include injection of chemical into wellheads, pipelines or batch process manufacturing. Examples include injecting: methanol into gas systems to prevent freezing; corrosion inhibitors, friction reducers or scale inhibitors into pipelines; a liquid into a batch process as a chemical additive or catalyst for a produced product.

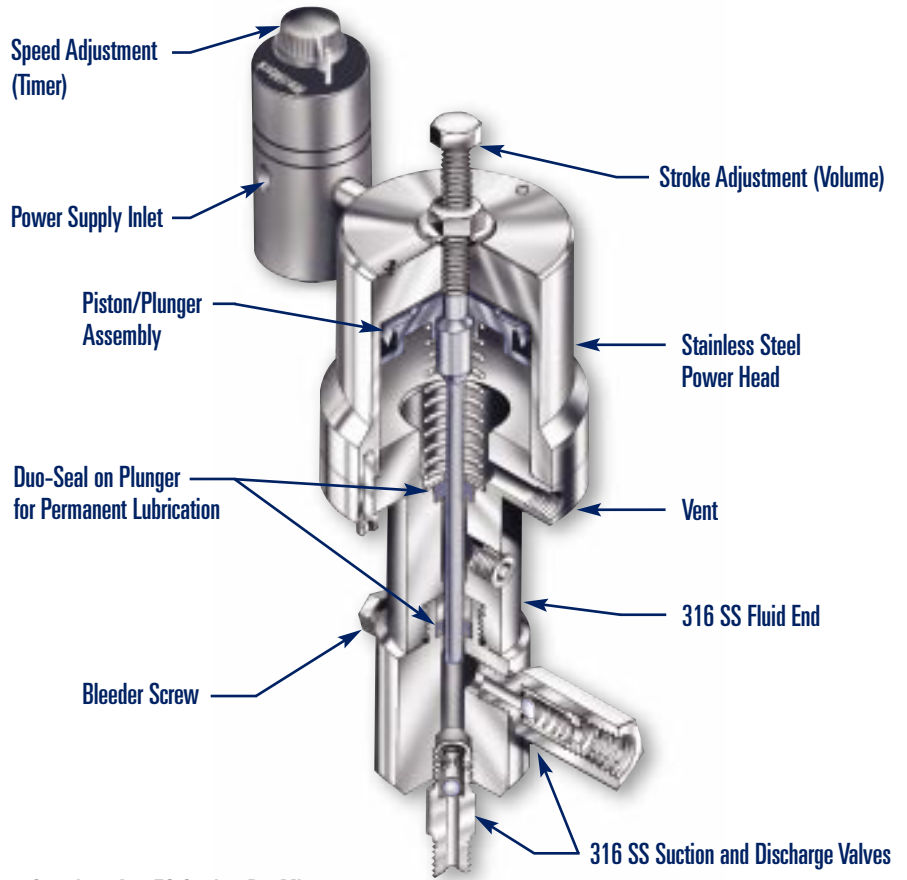
# WellMark's CIP Piston Pump Offers Greater Reliability In A Simple, Economical Design For Precise Control of Injected Fluids.

## Features

- New W25 Stand-Alone Timer  
Hard Anodized Aluminum
- Duo-Seal Plunger: Self-Lubrication
- Threaded Exhaust Ports
- Speed and Stroke Adjustment
- Economical Light Weight Design
- Air or Gas Operated
- 35:1 to 80:1 Power Head to Fluid End Ratio
- Discharge Pressures from 1700-6500 psi
- FluoroMyte Plunger Packing with Buna N O-Spring Energizer

## Specifications

- Connection** • 1/4" FNPT
- Pressure**
- Discharge ..... See Table 1
  - Supply ..... 25-100 psi
  - Suction ..... Atmosphere (Gravity Feed)
- O-rings**
- Wetted ..... Teflon®
  - Non-Wetted ..... Buna N (Other Materials Available)
- General**
- Temperature... -50° F to +225° F
  - Packing ..... FluoroMyte
  - Plunger ... 17-4PH SS or Ceramic
  - Piston ..... See Table 1

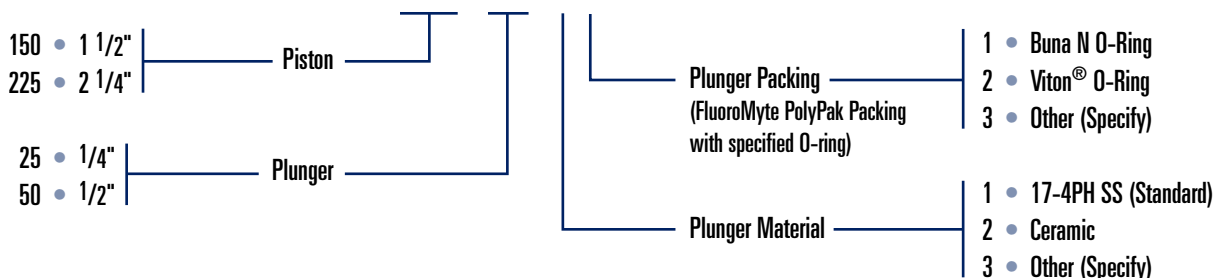


- Speed .. 4 to 50 Strokes Per Min.
- Stroke ..... 1/8" to 1"
- Output Volume ..... See Table 1
- Gas Consumption ... See Table 2

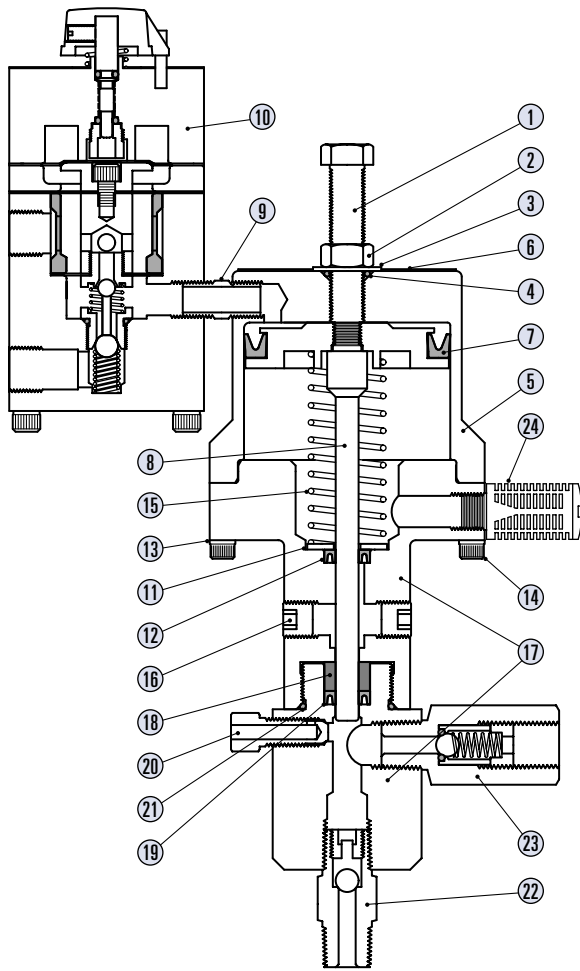
## Determining the Model Number

Example Given: Model CIP with 1 1/2" Piston, 1/4" Plunger, (Standard) 17-4PH Stainless Steel Plunger Material, and FluoroMyte PolyPak Packing with Buna N O-Rings. Consult factory for other materials.

### MODEL: CIP150-25-1 1



## Parts & Materials



### Complete Standard Repair Kit (17-4PH Plunger)

Model	Part Number
CIP150-25	03500-1922
CIP225-25	03500-1930
CIP225-50	03500-1948

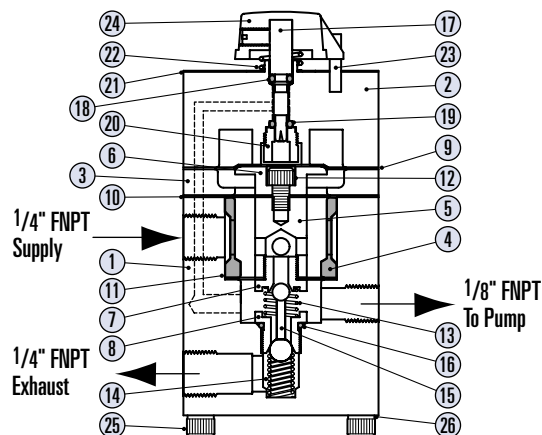
### Standard Repair Kit Without Timer, Suction & Discharge Valve

Model	Part Number
CIP150-25	03500-1956
CIP225-25	03500-1964
CIP225-50	03500-1972

## CIP Injection Pump Parts List

Item	Description	Qty.	Part Number		
			CIP150-25	CIP225-25	CIP225-50
1	Stroke Adjuster	1	05000-5660	05000-5694	05000-5694
2	Lock Nut	1	05000-2559	05000-1957	05000-1957
3	Thread Seal	1	06000-8527	06000-8528	06000-8528
4*	O-Ring	1	05000-0033	05000-0066	05000-0066
5	Piston Cap	1	05013-1540	05013-1733	05013-1733
6	Data Plate	1	06000-8050	06000-8084	06000-8084
7*	U Cup-Piston	1	06000-7951	06000-8076	06000-8076
8*	Plunger/Piston Assy. 17-4PH SS (Std.)	1	06500-5949	06500-6026	06500-6050
	Ceramic	1	06500-5965	06500-6042	06500-6076
9	Pipe Nipple	1	006312-P	006312-P	006312-P
10*	Timer Assembly	1	06500-6450	06500-6450	06500-6450
11	Washer	1	007124-P	05010-4116	06000-8141
12*	PolyPak	1	06000-7976	06000-7976	06000-8133
13	Lock Washer	6	05000-5677	05000-5677	05000-5677
14	Socket Head Screw	6	05000-5644	05000-5644	05000-5644
15*	Spring	1	06000-7943	06000-8068	06000-8068
16	Pipe Plug	2	002303-P	002303-P	002303-P
17	Body/Fluid End Assy.	1	06500-5834	06500-5915	06500-5999
18*	Spacer	1	05013-1765	05013-1765	05013-1926
19*	PolyPak, Buna-N	1	06000-8158	06000-8158	06000-8644
	PolyPak, Viton®	1	06000-7969	06000-7969	06000-8125
20	Bleed Screw	1	05013-1558	05013-1558	05013-1558
21*	O-Ring, Buna-N	1	05000-0082	05000-0082	05000-0108
	O-Ring, Viton®	1	05000-5610	05000-5610	05000-0835
22*	Suction Check Valve	1	06500-5907	06500-5907	06500-6018
22A	Check Valve Body	1	05013-1566	05013-1566	05013-1934
22B	Ball Retainer	1	05013-1574	05013-1574	05013-1942
22C	Ball	1	06000-0265	06000-0265	06000-0275
23*	Discharge Check Vlv.	1	06500-5890	06500-5890	06500-5890
23A	Check Valve Body	1	05013-1682	05013-1682	05013-1682
23B	O-Ring Retainer	1	05013-1690	05013-1690	05013-1690
23C	O-Ring, Teflon®	1	10867	10867	10867
23D	Ball	1	06000-0265	06000-0265	06000-0265
23E	Spring	1	A18-1Y	A18-1Y	A18-1Y
23F	Spring Retainer Nut	1	05013-1708	05013-1708	05013-1708
24	Muffler	1	06000-8166	06000-8166	06000-8166

\*Recommended spare parts.



### W25 Timer Repair Kits

Type	Minor Repair Kit	Major Repair Kit
Part Number	03500-2117	03500-2125

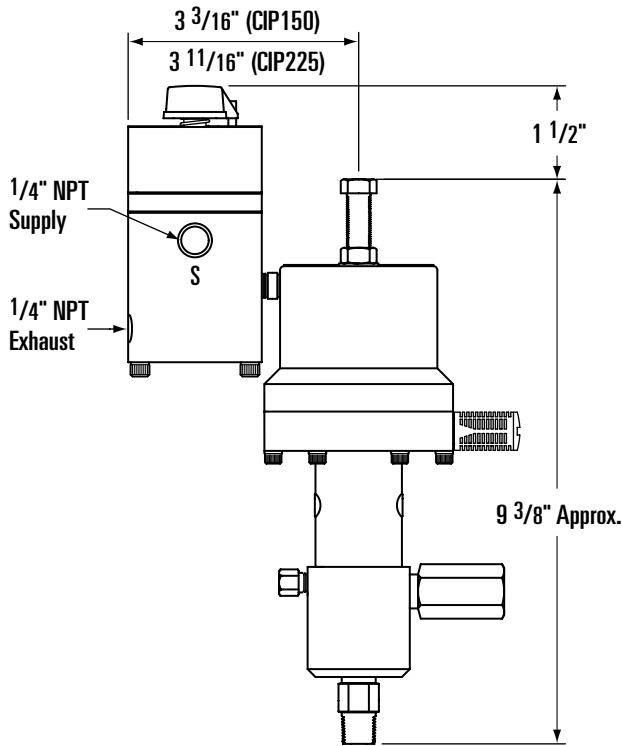
## W25 Timer Assembly Parts List (Item No. 10 from above)

Item	Description	Qty.	Part Number
1	Body	1	05013-3530
2	Cap	1	05013-3455
3	Spool, Upper	1	05013-3463
4	Spool, Lower	1	05013-3471
5	Spacer	1	05013-3480
6	Diaphragm Plate	1	05013-3498
7	Seat, Upper	1	05013-3506
8	Seat, Lower	1	05013-3514
9*	Diaphragm, Upper	1	05013-3548
10*	Diaphragm, Snapper	1	05013-3556
11*	Diaphragm, Lower	1	05013-3564
12*	Socket Head Screw	1	05000-5910
13	Spring, Upper	1	06000-8892

Item	Description	Qty.	Part Number
14	Spring, Lower	1	06000-8876
15	Pilot Plug	1	06500-6468
16*	O-Ring	1	05000-0066
17	Adjusting Needle	1	05013-2837
18*	O-Ring	1	05000-0009
19*	O-Ring, Teflon®	1	05000-5828
20	Seat	1	05013-3835
21	Legend Plate	1	06000-8560
22	Spring	1	06000-8610
23	Pin	1	05013-2911
24	Knob	1	10898
25	Socket Head Screw	4	05000-5902
26	Washer	4	05000-5836

\*Recommended spare parts.

Dimensional Data



Taking  
Liquid Level  
Management  
To A  
Higher Level

Table 1. Output Volume

Model	Plunger	Piston	Power Ratio	Stroke Length Maximum	Volume Per Stroke CC	Strokes Per Min.	Maximum Discharge Pressure	Output Volume Per Day
CIP150-25	1/4"	1 1/2"	35:1	1/8"-1"	0.80	4-50	3000	15.26 gal.
CIP225-25	1/4"	2 1/4"	80:1	1/8"-1"	0.80	4-50	6500	15.26 gal.
CIP225-50	1/2"	2 1/4"	20:1	1/8"-1"	3.2	4-50	1700	61.05 gal.

Table 2. Gas Consumption Formula

$SCFD = P_v \times \frac{\text{Supply Pressure} + 15}{15} \times \text{strokes per min} \times 1440$
Where $P_v = 0.0011$ for 1.5" piston Model CIP 150 $P_v = 0.0023$ for 2.25 piston Model CIP225
Example: 20 strokes per min. with 45 psi supply on CIP 150 $SCFD = .0011 \times \frac{45 + 15}{15} \times 20 \times 1440$ $SCFD = 126.72 \text{ SCFD}$



Controls and Valves for Industry

The WellMark Company  
1903 S.E. 29th Street  
Oklahoma City, OK 73129  
P.O. Box 95459  
Oklahoma City, OK 73143

Tel: (405) 672-6660  
Fax: (405) 672-6661  
Email: twc@wellmarkco.com

**wellmarkco.com**

Contact your WellMark representative today for more information.

©2003 The WellMark Company • WCIP-1203 • Litho USA  
Teflon® is a registered trademark of DuPont. • Viton® is a registered trademark of DuPont Dow Elastomers.