

±0.5 % Accuracy – 4 1/2" Dial Size

Designed for testing using the Reid Vapor Tension method as described in ASTM spec. D323. The gauge determines the absolute vapor pressure of volatile crude oil and volatile non viscous petroleum products.

This is a rugged instrument utilizing appropriate materials and manufacturing techniques to provide the ability to withstand the intended test use and the procedures specified to remove trapped fluid for future use.

STANDARD FEATURES

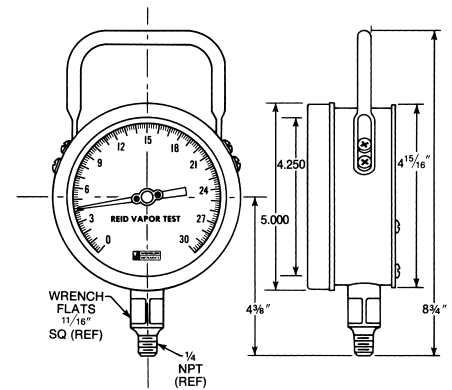
- Movement:** All 300 series stainless steel, heavy duty, bushed
- Pointer:** Geared Micrometer adjustable, balanced
- Dial:** White enameled aluminum. Black graduations and numerals
270° ARC
- Thread Size:** 1/4 male NPT only
- Connection Location:** Lower (bottom) only
- Case:** Lightweight Aluminum Case, Gasketed Bayonet Ring, Glass Window, Nonsparking Handle. Case and Ring Aquabaked for Corrosion Resistance. Blow-out Disc in Case is Standard.



RV14C

STANDARD RANGES

RANGE CODE	RANGE PSI	FIGURE INTERVALS	INTERVAL GRADUATION
PA	0-5	.5 psi	0.05 psi
PB	0-10	1 psi	0.1 psi
PC	0-15	1 psi	0.1 psi
PD	0-30	3 psi	0.2 psi
PE	0-60	5 psi	0.2 psi
PF	0-100	10 psi	0.5 psi
PG	0-160	20 psi	1.0 psi
PH	0-200	20 psi	1.0 psi
PI	0-250	20 psi	1.0 psi
PJ	0-300	30 psi	2.0 psi
PK	0-400	40 psi	2.0 psi
PM	0-600	50 psi	5.0 psi



HOW TO ORDER

R V 1 4 C P K 4 L W

BASIC 4-DIGIT CATALOG NO. RV14 _____

CASE STYLE CODE "C" (ONLY CASE AVAILABLE) _____

RANGE CODE FROM RANGE TABLES ABOVE _____

THREAD SIZE: 4 = 1/4 NPT MALE (ONLY THREAD SIZE AVAILABLE) _____

CONNECTION LOCATION: L = LOWER (BOTTOM) _____

DIAL COLOR: W = WHITE _____