



CE

UL

Model 112ET



Model 1357ET/Wide-Vue



Model 55ET/Round



Model 109ET



RU

Model 2153ET/Century

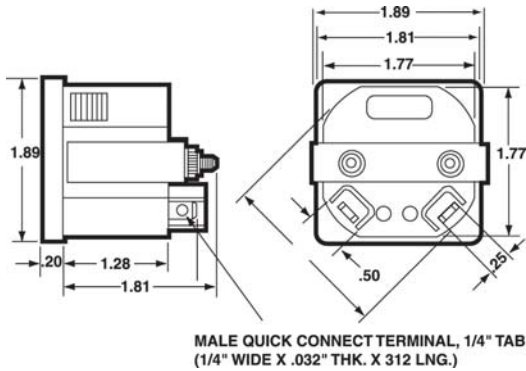


Model 57ET/Rectangular

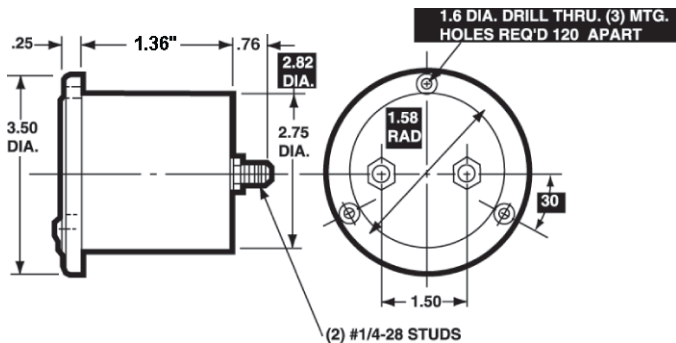
- Record "on" time of electrical equipment
- No reset capability means virtually tamper-proof
- Choice of AC or DC models
- 2 sizes and 6 different case styles

Dimensions

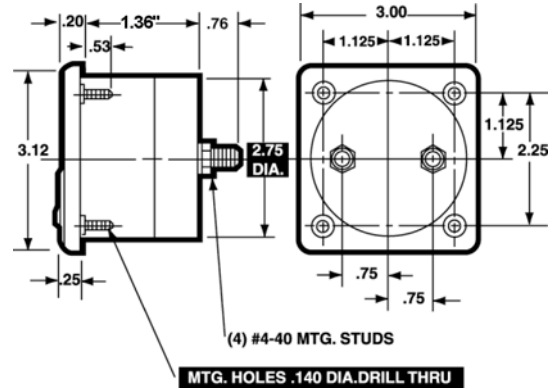
1-1/2" - Model 109ET



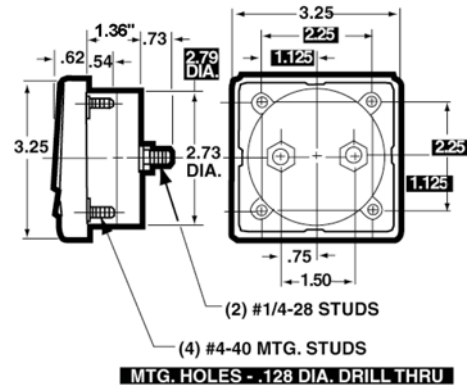
3 - 1/2" - Model 55ET



3 - 1/2" - Model 57ET



3 - 1/2" - Model 1357ET

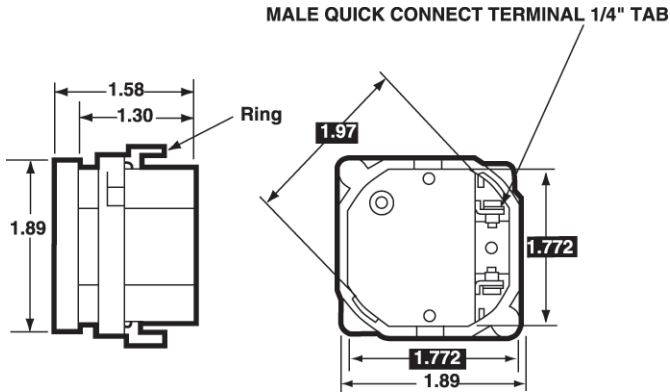


more>>



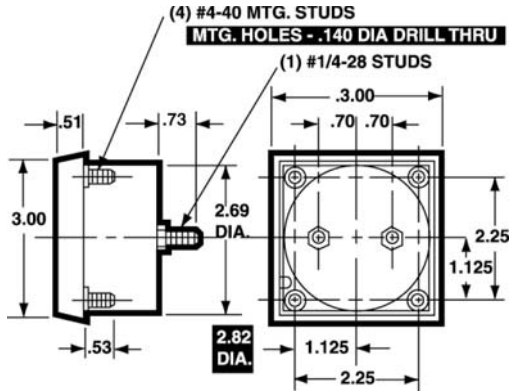
Elapsed Time Meters

1-1/2"- Model 112ET



1 = Panel Meter Cut-out Dimensions

3 - 1/2"-Model 2153ET



Specifications

- Accuracy:** Models 109ET & 112ET; <.01%/24HRS.
Models 55ET, 57ET, 1357ET & 2153ET: Synchronous with AC power
- Movement:** Synchronous clock motor
- Overload (1 sec.):** 10 times F.S.
- Maximum Indication:** 99,999.9 hours
- Power Consumption:** Models 109ET, 112ET: .5 watts
All other models: 2.5 watts
- Case:** Models 55ET, 57ET, 2153ET: high density plastic
Models 109ET, 112ET, 1357ET: high density black acrylic
- Operating Temperature:** -4°F to +149°F (-20°C to +65°C)
- Net Weight:** Models 112ET, 109ET: 2.5 oz (0.07kg)
Models 55ET, 57ET: 12.5 oz (0.35kg)
Model 1357ET, 2153ET: 13 oz (0.37kg)

Ordering Information

Operating Voltage	Maximum Indication (hours)	Power Consumption	Accuracy	Model Size	Model Number	Catalog Number
10-80 DCV*	99,999.9	.5 watt	≤.01%/24 hrs	1-1/2"	109ET	03618
120 VAC	99,999.9	.5 watt	≤.01%/24 hrs	1-1/2"	112ET	03622
120 VAC 60 Hz	99,999.9	2.5 watts	synchronous	3-1/2"	55ET	03580
	99,999.9	2.5 watts	synchronous		57ET	03590
	99,999.9	2.5 watts	synchronous		1357ET	03595
	99,999.9	2.5 watts	synchronous		2153ET	17720
240 VAC 60 Hz	99,999.9	2.5 watts	synchronous	3-1/2"	55ET	03600
	99,999.9	2.5 watts	synchronous		57ET	03610
	99,999.9	2.5 watts	synchronous		1357ET	03615
	99,999.9	2.5 watts	synchronous		2153ET	17721