

LA Series - Electric Linear Actuators

Rotork Process Controls designs and manufactures high quality, durable actuators designed for trouble-free performance under the most demanding conditions. The LA-2000 Series, with its field-proven design, is a perfect fit for all of your critical linear actuator applications.

The LA-2000 Series are self-contained, bi-directional, linear actuators internally geared to produce up to 1,600 lbs. (7,117 N) of thrust. Some models also offer continuous modulating duty up to 2,000 starts per hour.

Features:

- Mechanical Thrust Overload Protection
- High Modulating Duty
- Highly Accurate Control
- Many Voltage Options
- Minimal Maintenance
- Cast Aluminum Housing
- Grease Lubricated
- Rain Shield & Bellows Cover

A variety of speeds, thrusts, motors, voltages and control options are available which make the LA-2000 Series ideally suited for reliable positioning of dampers, combustion controls, gates, diverters, hydraulic variable speed drives, or other linear positioning applications.

LA-2000 Series actuators are also available with an internal or external amplifier. These amplifiers are all full-featured AC or DC switching devices designed to work seamlessly with the actuator for closed loop control.

Benefits:

- Protects Unit from Costly Motor Burnout
- Improves Process Control
- Better Control of Flow or Process
- Optimizes Wiring Costs
- Minimizes Downtime
- Lightweight & Anti-corrosive
- Any Position Mounting
- Prevents Damage Due to Water Intrusion

LA-2000 Series

Popular Options:

- 4-20mA proportional control
- Auxiliary position limit switches
- High temperature operation over 150°F (65°C)
- Trunnion mount (Not available on 6 inch models)
- Anti-condensation heater and thermostat for LA-2300
- Integral reversing starter with overload protection (3-phase models)
- Potentiometer, contactless feedback element
- 4 to 20mA position feedback
- Battery back-up
- Bellows seal to protect extension tube from dirt and moisture

Applications:

- Slide Gate Control
 - Blending
 - Open / Close
- Diverter Operation
- Weigh Hopper Gates
- Flop Gates
- Clam Shell Gates
- Air Damper Control
- Burner Shroud Positioning
- Burner Tilt
- Igniter Retract
- Hydraulic Cylinder Replacement
- Pneumatic Cylinder Replacement
- Valve Automation

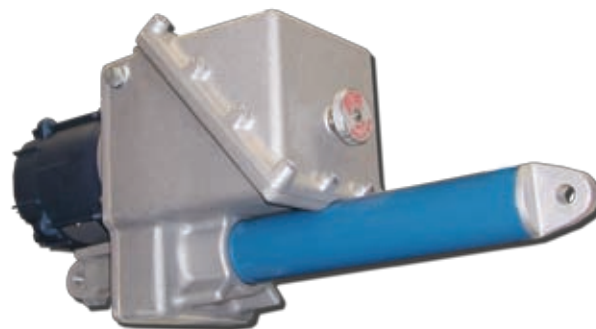


LA-2400



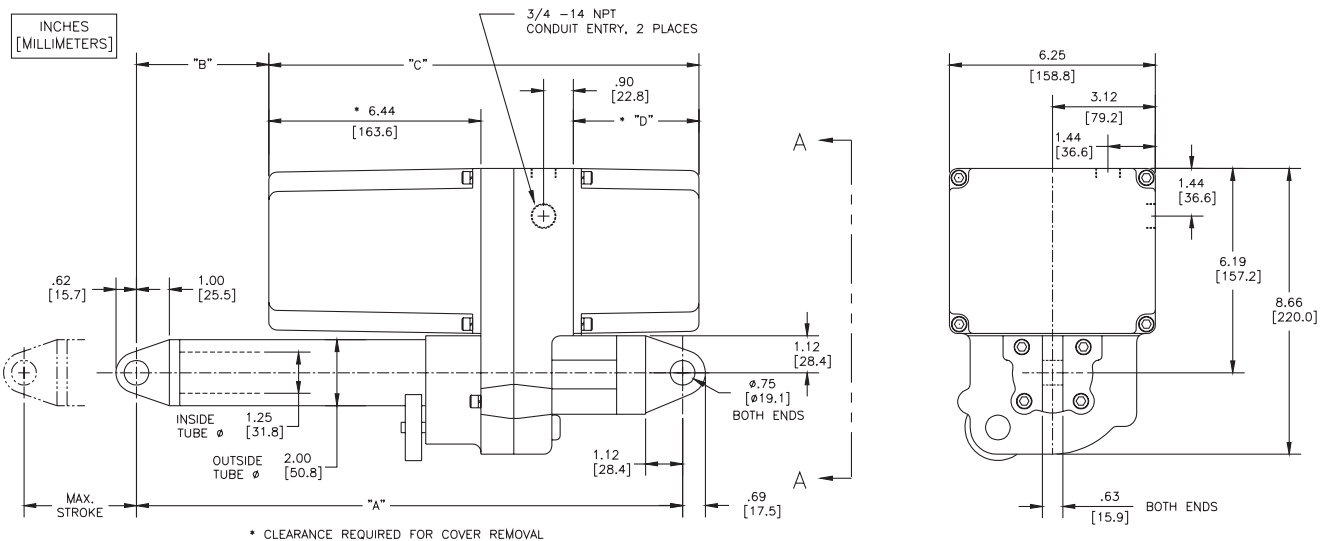
- Thrusts from 150 to 1,500 lbf. (667 to 6,672N).
- Stroke distance from 6 to 24 inches.
- CSA Class II Division 1 Groups E, F & G. CSA Enclosure 4.
- Manual override.
- Automatic thrust limiting.
- Anti-condensation heater and thermostat.
- Self-locking drive system to hold in last position and prevent backdriving up to thrust rating.
- AC input power (single and three-phase) or DC input power versions.
- Temperature range from -40°F to 150°F (-40°C to 65°C).
- Two year warranty.

LA-2500



- Thrusts from 800 to 1,600 lbf. (3,558 to 7,117N).
- Stroke distance from 6 to 24 inches.
- Modulating Duty: 2,000 starts per hour.
- CSA Class 11 Division 1 Groups E, F & G. CSA Class 1 Division 1 Groups C & D. CSA Enclosure 4.
- Manual override.
- Automatic thrust limiting.
- Anti-condensation heater and thermostat.
- Self-locking drive system to hold in last position and prevent backdriving up to thrust rating.
- AC input power (single and three-phase).
- Temperature range from -40°F to 150°F (-40°C to 65°C).
- Two year warranty.

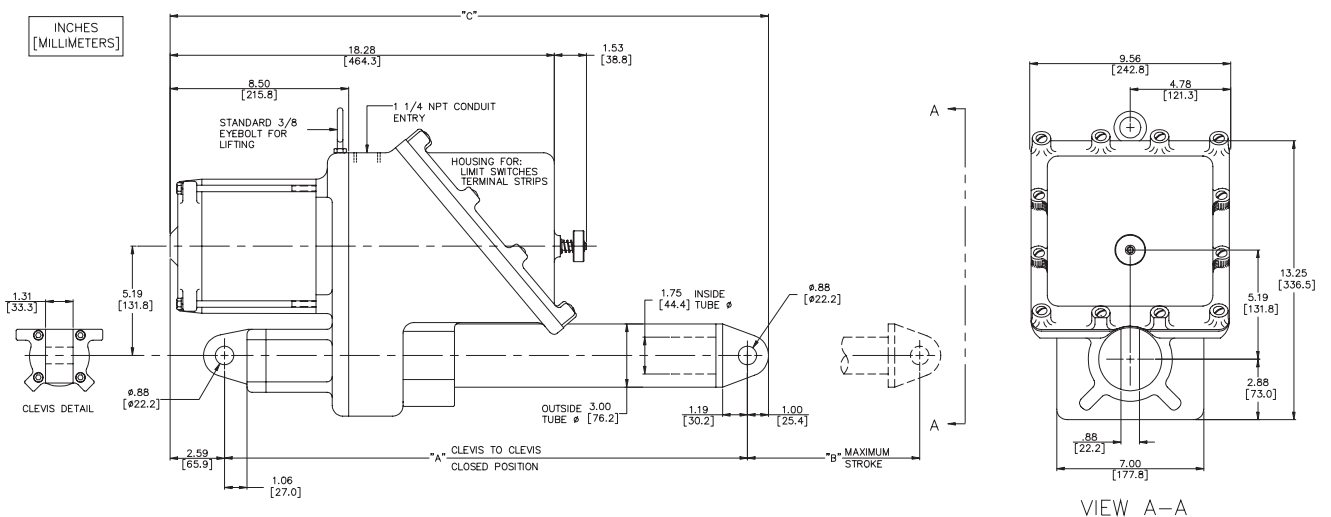
LA-2400 MAJOR DIMENSIONS



VIEW A-A

Stroke in. (mm)	A	B	C		D	
			Without Amp	With amp	Without Amp	With amp
2 (51) to 6 (152)	16.61 (422)	4.01 (102)	13.1 (333)	15.73 (400)	3.81 (97)	6.44 (164)
6.01 (153) to 12 (305)	22.61 (574)	10.01 (254)	13.1 (333)	15.73 (400)	3.81 (97)	6.44 (164)
12.01 (305) to 18 (457)	28.61 (727)	16.01 (407)	13.1 (333)	15.73 (400)	3.81 (97)	6.44 (164)
18.01 (457) to 24 (610)	34.61 (879)	22.01 (559)	13.1 (333)	15.73 (400)	3.81 (97)	6.44 (164)

LA-2500 MAJOR DIMENSIONS



VIEW A-A

Stroke in. (mm)	A	B Linear Travel	C
6 (152)	20.5 (521)	6	24.09 (612)
12 (305)	24.88 (632)	12A	28.47 (723)
	25.38 (645)	12B	28.97 (736)
	26.55 (673)	12C	30.09 (764)
	26.59 (675)	12D	30.18 (767)
18 (457)	32.5 (826)	18	36.09 (917)
24 (610)	39.5 (1003)	24	43.09 (1094)

These dimensions are subject to change without notice and should not be used for preparation of drawings or fabrication of installation mounting. Current installation dimension drawings are available upon request.

A full listing of our worldwide sales and service network is available on our website.

UK
Rotork plc
tel +44 (0)1225 733200
fax +44 (0)1225 333467
email mail@rotork.co.uk

USA
Rotork Process Controls
tel +1 (414) 461 9200
fax +1 (414) 461 1024
email rpcinfo@rotork.com

Controls

Electric Actuators and Control Systems

Fluid Systems

Fluid Power Actuators and Control Systems

Gears

Gearboxes and Gear Operators

Site Services

Projects, Services and Retrofit