

316L Stainless Steel Explosion Proof Coil

For Oil & Gas Market & Other Harsh Environments



The 316L Stainless Steel Explosion Proof Flameproof "d" coil reference 497105 is valid for Zone 1/21 and is compatible with existing Parker Fluid Control Division V, F, X Series.

Benefits:

- Lightweight and compact design
- Highly resistant to corrosion
- Easy installation
- Ease of maintenance
- Modular with all other current ATEX Parker Lucifer coils
- Inventory reduction
- Coil can be assembled or disassembled from its valve very easily
- Quick electrical cable connection
- Coil permits reversible up or down position of the threaded 1/2"NPT cable entry with 360° rotation capability

Markets:

- Chemical
- Petrochemical
- Oil & Gas Industries
- Agriculture
- Waste Treatment

Applications:

Control of solenoid valves in hazardous areas Zone 1-21

Technical Data

- Housing is made of 316L Stainless Steel
- Power consumption 8W Max
- 1/2" NPT or M20 x 1.5 cable entry
- Protection level IP66
- Peak voltage suppression and AC rectifier included as standard



Voltage Codes

Voltage	12VDC	24VDC	48VDC	110VDC	24/50-60VAC	110/50-60VAC	220-230/50-60VAC
Code	C1	C2	C4	C5	P0	1P	3P



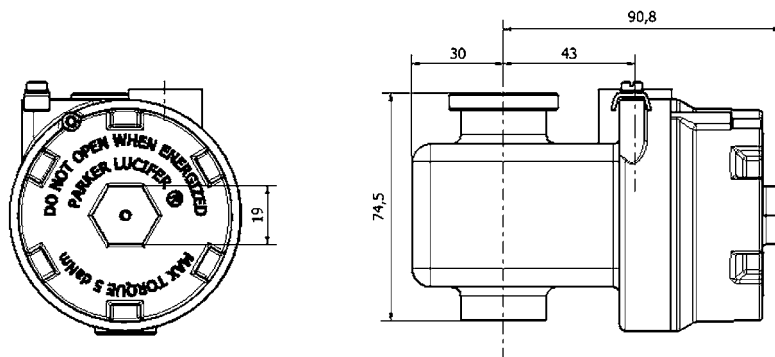
ENGINEERING YOUR SUCCESS.

Solenoid Valve Product Range

316L Stainless Steel

Pipe Mounting														
Port Size NPT	Function	Orifice (in)	Flow Factor (Cv)	Operating Pressure (PSI)			Fluid Temp. °F		Seat Seal	Parker LUCIFER® Valves		Electrical Connection	Power	
				Min	Max	MOPD	Min	Max		Valve Ref.	Coil Ref.		AC W	DC W
1/4"	3/2 universal auto reset	15/64"	.54	0	174	174	-13	150	NBR	U133X7196	497105 49710502	M20x1.5 1/2 NPT	8	8
	3/2 universal manual override	15/64"	.54	0	174	174	-13	150	NBR	U133X7156	497105 49710502	M20x1.5 1/2 NPT	8	8
	3/2 universal manual reset	15/64"	.54	0	174	174	-13	150	NBR	U033X7156	497105 49710502	M20x1.5 1/2 NPT	8	8
	3/2 universal	3/32"	.18	0	130	130	-13	167	FKM	U133V7695	497105 49710502	M20x1.5 1/2 NPT	8	8
	3/2 universal	5/64"	.10	0	174	174	-13	167	FKM	U133V7595	497105 49710502	M20x1.5 1/2 NPT	8	8
	2/2 normally closed	1/32"	.03	0	1,420	1,420	-13	167	FKM	U121V7595	497105 49710502	M20x1.5 1/2 NPT	8	8

Dimensions (in mm)



Ordering Example

To order a solenoid valve select:

Valve reference - Coil reference and voltage code.

Example for 24 VDC with M20 x 1.5 electrical connection: **U133X7196-497105C2**

