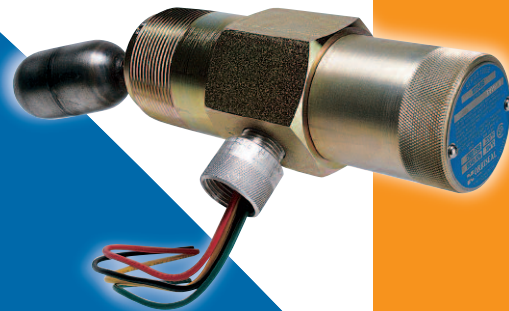


# Series 1005E Electric Liquid Level Switch

## Float Actuated Electric Switch

Designed for rugged use in pressure vessels.



*The Norriseal Series 1005E is a float actuated electric switch that opens or closes an electric circuit. The 1005E body is furnished in 1.5" or 2.0" NPT size and the material is either carbon steel (plated) or 316 stainless steel. The electric miniature switch can be furnished in SPDT or DPDT. The unit is CSA listed as explosion proof and NEMA 4.*

### Application

The Series 1005E switch is designed for rugged use and can be used as a high or low level alarm to monitor liquid level in compressor scrubbers and other type pressure vessels. This unit is also available for NACE applications.

### Accessories

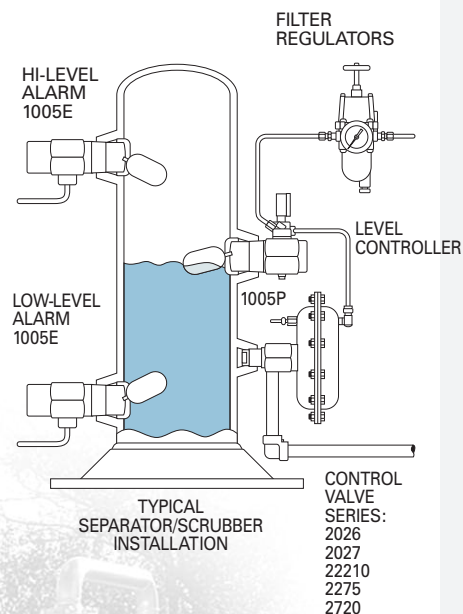
Small external horizontal float chambers (style V) are available for applications that require external mounting of the 1005E switch.

### Features

- High or Low Liquid Level Monitor
- 316 Body Material Optional
- NACE Materials Available
- CSA Listed (Class 1, Group C & D Hazardous Locations)
- NEMA 4

### Contents

- 2 Specifications
- 2 How to Order
- 3 Dimensions



# Specifications

- Body**  
*Size:* 1.50" & 2.00"  
*Material:* Carbon Steel Pltd.  
 316 Stainless Steel  
  
*Pressure Rating:* 1.50" 1000 psig  
 2.00" 2000 psig
- Float**  
*Material:* 316 Stainless Steel  
 Polypropylene  
  
*Pressure Rating:* 316 Stainless Steel 1500 psig  
 Polypropylene 2000 psig  
  
*Temperature Rating:* 316 Stainless Steel 220°F\*  
 Polypropylene 140°F  
  
*Specific Gravity:* 316 Stainless Steel .60\*  
 Polypropylene .86
- Seals:** Viton (Std.), Buna-N,  
 Low-temperature Buna-N,  
 EPR (Opt.), and Aflas
- Switch**  
*Single Pole:* 10 Amp, ½ H.P. @ 125/250 VAC  
*Double Throw:* ½ Amp @ 125 VDC;  
 ¼ Amp @ 250 VDC  
  
*Double Pole:* 10 Amp, ½ H.P. @ 125/250 VAC  
*Double Throw:* ½ Amp @ 125 VDC;  
 ¼ Amp @ 250 VDC

\*Consult Factory for Specific Gravity less than .60 or for temperature up to 302°F

## How to Order

- Specify Series 1005E
- Select Model Number

### 1018 - AVS

BODY, CAP & CONDUIT ADAPTER MATERIAL			
Body	Cap	Conduit Adapter	Code
Carbon Steel	Aluminum	Aluminum	1018
316	Aluminum	Aluminum	0316

SERVICE			
Service	Arm/Stem	Float	Code
Standard	316 SST	316 SST	-
H <sub>2</sub> S	316 SST	316 SST	N*

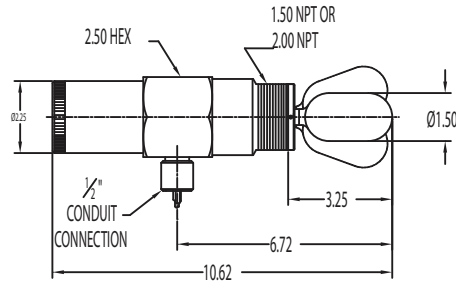
\*Compliance with NACE Spec. MR 0175-2002

SWITCH TYPE		
Code	Type	Rating
S	Single Pole	10 amp, 1/2 H.P. @ 125/250 VAC; 1/2 amp @125 VDC; 1/4 amp @250 VDC
	Double Throw	
D	Double Pole	10 amp, 1/2 H.P. @ 125/250 VAC; 1/2 amp @125 VDC; 1/4 amp @250 VDC
	Double Throw	

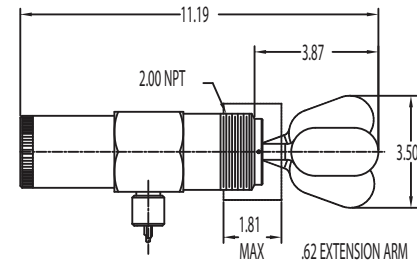
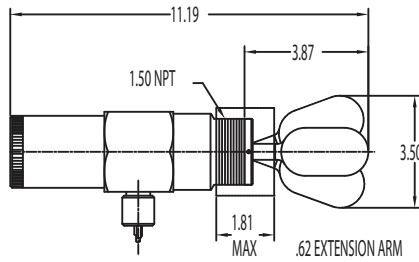
SEAL MATERIAL	
Code	Condition
B	Buna-N
E	EPR
L	Buna-N (Low Temp)
M	Aflas
V	Viton (Std)*

\*Also Standard for NACE Applications  
 Registered U. S. Patent Office for DuPont's  
 Fluorelastomer

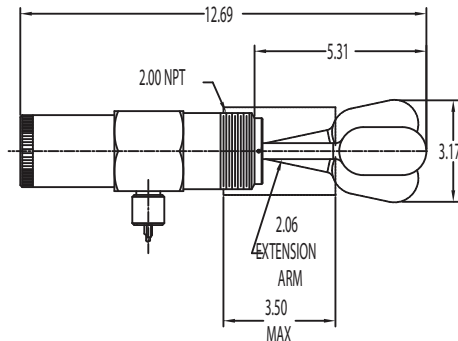
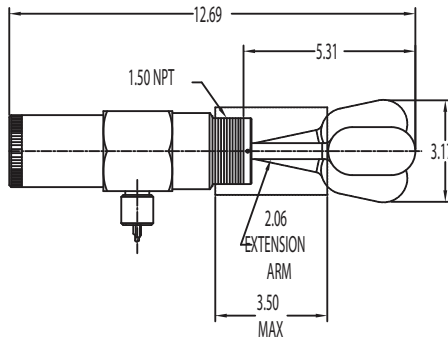
BODY/FLOAT COMBINATIONS				
Code	Process Connection	Maximum Pressure psig	Maximum Temperature °F	Float Material
A	1.50	1000	220	316 SST
K	2.00	1500	220	316 SST
C	2.00	2000	140	Poly.



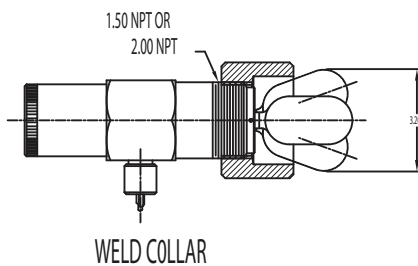
SPDT OR DPDT SWITCH



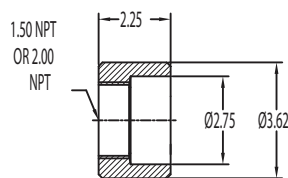
A 0.62" extension arm must be used when unit is installed in a half coupling, threadolet or reducing bushing. This reduces the minimum specific gravity to 0.61 with the stainless float and 0.86 with the polypropylene float.



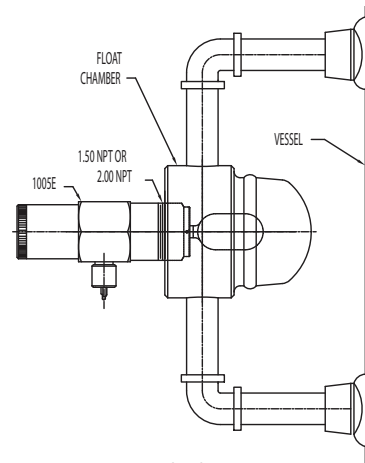
A 2.06" extension arm must be used when unit is installed in a full coupling. This reduces the minimum specific gravity to 0.57 with the stainless float and 0.94 with the polypropylene float.



WELD COLLAR



WELD COLLAR



EXTERNAL FLOAT CHAMBER  
MODEL 4V03

## ***Why you can depend on genuine Norriseal products***

- In-house engineering and technical support
- In-depth applications experience
- Award-winning innovation and ongoing product development
- ISO 9001:2008 certified manufacturing
- Over five decades of industry service
- Compliance with all industry standards and specifications
- Responsive service and prompt delivery
- Field support available worldwide

*Please contact your Norriseal representative for more details and assistance in specifying the optimal solution for your application.*



***Engineered Performance***

**11122 West Little York • Houston, Texas 77041**

**Tel: 713-466-3552 • Fax: 713-896-7386**

**[www.norriseal.com](http://www.norriseal.com)**