

Typical Installations

Two Oil Products



Standpipe, Pump Station, Basement Tanks¹

Bill of Materials

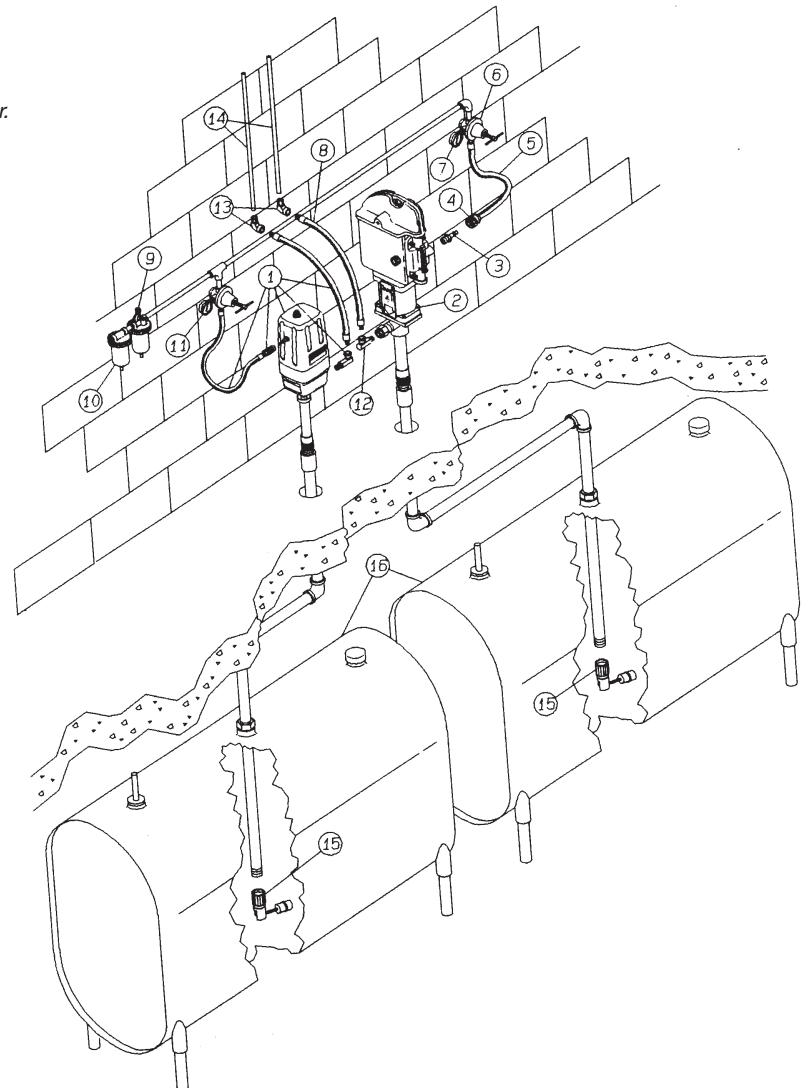
Model	Code	Req'd.	Description
84934	1	1	5:1 Pump Hose Air & Fluid Connectors
1914	2a	1	12:1 PowerMaster® II Stub Pump
2014	2b	1	12:1 PowerMaster III Stub Pump
653112	3	1	Air Nipple 3/4" NPT(m)
652008	4	1	Air Socket 1/2" NPT(f)
74036	5	1	Low-Pressure Air Hose 1/2" NPT(m)
602008	6	1	Air Regulator 1/2" NPT(f)
66100	7	1	Air Pressure Gauge 1/4" NPT(m)
73024	8	1	Medium-Pressure Hose 1/2" NPT(m)
602208	9	1	Airline Lubricator 1/2" NPT(f)
602108	10	1	Airline Filter 1/2" NPT(f)
602134	11	1	Air Regulator 1/4" NPT(f)
241584	12	1	90° Swivel Union 1/2" NPT(f) x 1/2" NPT(m)
***	13	*	5/8" OD Tube Elbow 1/2" NPT(f)
***	14	*	Hi-Pressure Tubing 5/8" OD x .083 Wall **
82439	15	2	Low Level Cut-Off 1 1/2" NPT(f)
***	16	2	275-Gallon Ob-round Tank

¹ Underground tanks would be similar.

* Requirements vary per system.

** 20' length, working pressure 5000psi, 7 pack

*** Available from local petroleum equipment service distributor.



Typical Installations

Bulk Oil Systems—Motor Oil



Single Reel System from 55-Gal. Drum

WARNING

For safe and proper use, always consult instructions accompanying product.

See **Safety Warning Information** for

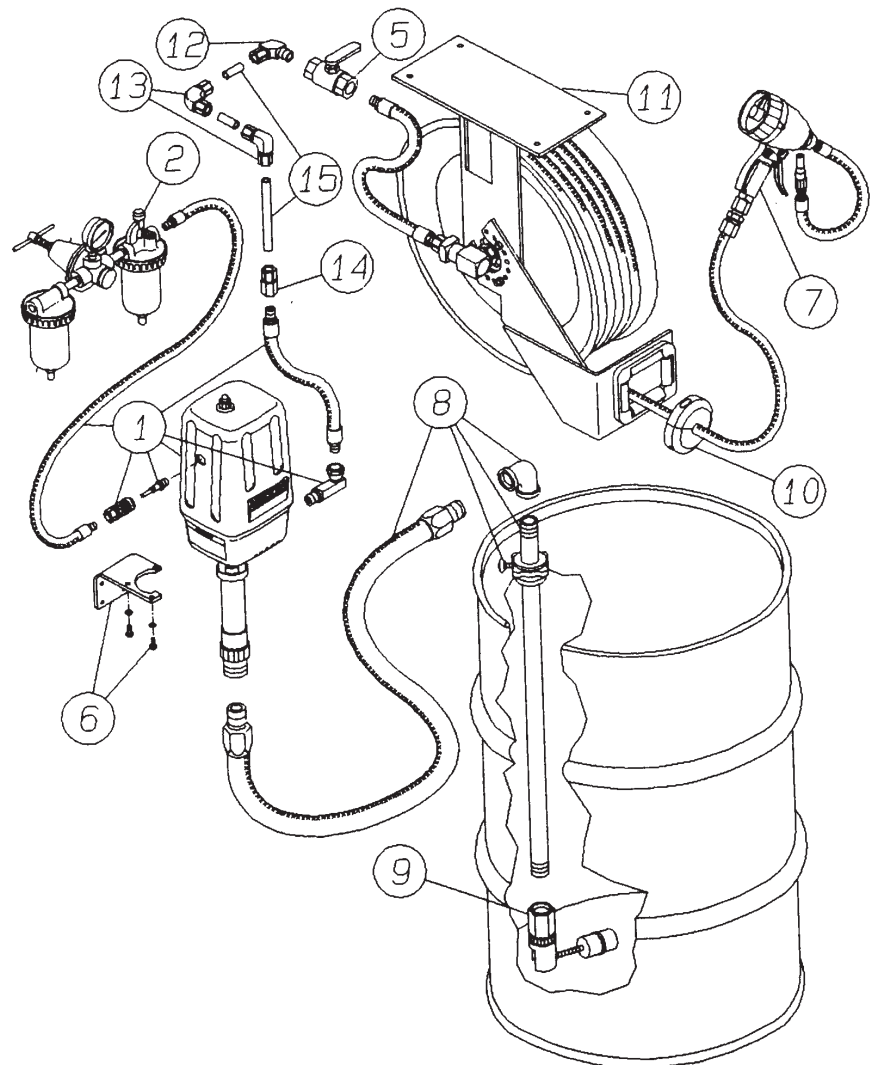
Bill of Materials

Model	Code	Req'd.	Description
282398	1	1	3:1 Pump, Hoses, Air & Fluid Connectors
85387-4	2	1	Airline Lubricator/Regulator and Filter w/ Gauge 1/4" NPT(f)
66084	5	1	Medium-Pressure Quarter-Turn Shut-Off Valve 1/2" NPT(f)
84940	6	1	Wall Mount Bracket Kit
877	7	*	Metering Control Valve 1/2" NPT(f)
84945	8	1	Suction Kit 1" NPT
84946	9	1	Low Level Cut-Off 1" NPT
85517	10	*	Adjustable Ball Stop
85057	11a	1	Heavy-Duty Hose Reel with Hose & Fluid Connectors, 50' 73600 Hose
87354D	11b	1	Golden Standard Hose Reel with Hose & Fluid Connectors, 50' 73600 Hose
***	12	**	5/8" OD Union Elbow, 1/2" NPT(m)
***	13	**	5/8" OD 90° Tube Union
***	14	**	5/8" OD Tube Connector, 1/2" NPT(f)
***	15	**	Hi-Pressure Tubing 5/8" OD x .083 Wall (Working Pressure: 5000 psi)†

* Included in each reel assembly.

** Requirements vary per system

*** Available from local petroleum equipment service distributor.



Single Product to Two Reels

Bill of Materials

Model	Code	Req'd.	Description
282398	1	1	3:1 Pump, Hoses, Air & Fluid Connectors
85387-4	2	1	Airline Lubricator/Regulator and Filter w/ Gauge 1/4" NPT(f)
66084	5	1	Medium-Pressure Quarter-Turn Shut-Off Valve 1/2" NPT(f)
877	6	*	Metering Control Valve 1/2" NPT(f)
84946	7	1	Low Level Cut-Off 1" NPT
85517	8	*	Adjustable Ball Stop
85057	9a	2	Heavy-Duty Hose Reel with Hose & Fluid Connectors, 50' 73600 Hose
87354D	9b	2	Golden Standard Hose Reel with Hose & Fluid Connectors, 50' 73600 Hose
84945	10	1	Suction Kit 1" NPT
***	11	**	Nipple, 1/2" NPT(m) x 1/2" NPT(m)
***	12	**	5/8" OD Union Elbow, 1/2" NPT(m)
***	13	**	5/8" OD Tube Union Tee
***	14	**	5/8" Union Elbow, 1/2" NPT(m)
***	15	**	5/8" OD 90° Tube Union
***	16	**	5/8" OD Tube Connector, 1/2" NPT(f)
***	17	**	Hi-Pressure Tubing 5/8" OD x .083 Wall (Working Pressure 5000psi)†
***	18	1	Tank

WARNING

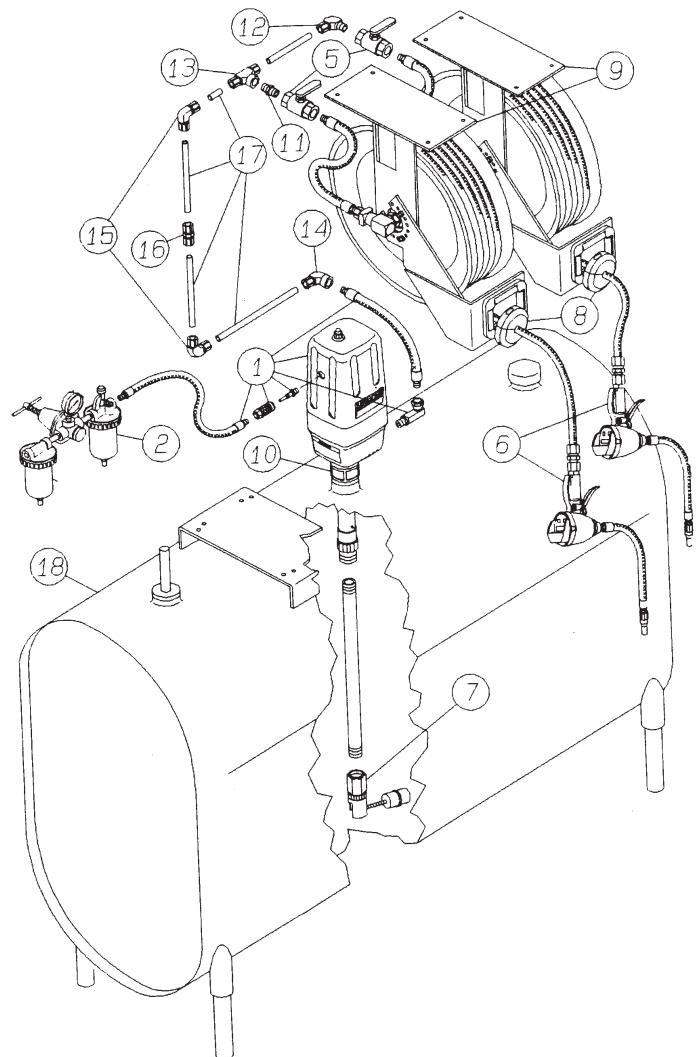
For safe and proper use, always consult instructions accompanying product.

See **Safety Warning Information** for

* Included in 85057 reel assembly.

** Requirements vary per system

*** Available from local petroleum equipment service distributor.



Typical Installations

Typical Lubrication System—Chassis Grease



System from 120 lb. Drum

Bill of Materials

Model	Code	Req'd.	Description
918	1	1	50:1 Pump, Cover, Follower, Hoses, Air & Fluid Connectors
85387-4	2	1	Airline Lubricator/Regulator and Filter w/ Gauge 1/4" NPT(f)
885	5	1	Hi-Pressure Shut-Off Valve 1/2" NPT(f)
12957	6	1	Nipple, 1/2" NPT(m) x 1/2"-27 (m)
740	7	*	Hi-Pressure Control Valve 1/4" NPT(f)
81387	8	*	Hi-Pressure Universal Swivel, 1/4" NPT(m) x 1/2"-27 (m)
85516	9	*	Adjustable Ball Stop
85050	10a	1	HD Hose Reel with Hose & Lube Connectors, 30' 75360 Hose
87532G	10b	1	GS Hose Reel with Hose & Lube Connectors, 30' 75360 Hose
***	11	**	5/8" OD Tube Elbow, 1/2" NPT(m)
***	12	**	5/8" OD 90° Elbow or Union Elbow
***	13	**	5/8" OD Tube Union
***	14	**	5/8" OD Tube Union Tee
***	15	**	5/8" OD Tube Elbow, 1/4" NPT(f)
***	16	**	Hi-Pressure Tubing 5/8" OD x .083 Wall (Working Pressure: 5000 psi)†

The following schematics and bills of material are of common lubrication systems. These depictions are for reference and as an aid in system design.

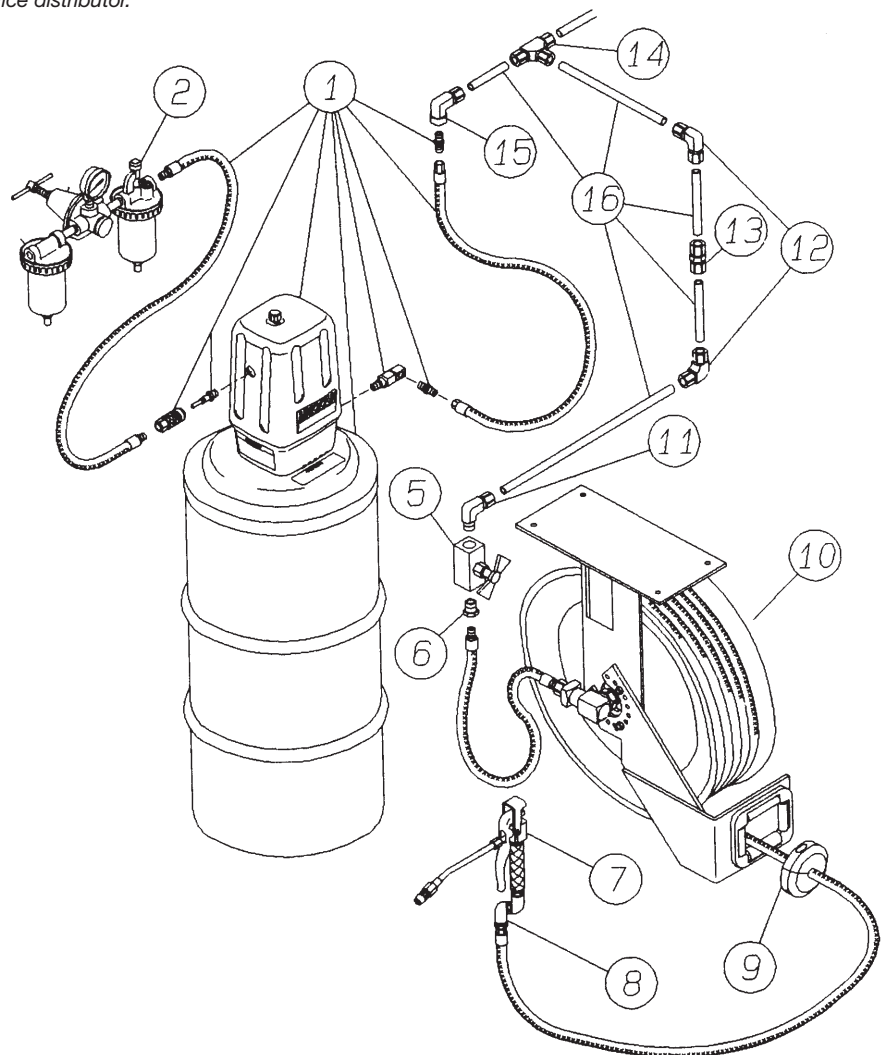
Variables such as length of pipe/tube run, temperature, location and other specific parameters of a system must be taken into consideration. Please refer to detailed specification information for system componentry in previous catalog pages.

* Included with each reel assembly.

** Requirements vary per system.

*** Available from local petroleum equipment service distributor.

† 20' length, 7 pack



Typical Installations

Typical Lubrication System—Chassis Grease



Two Delivery Points from 400 lb. Drum

Bill of Materials

Model	Code	Req'd.	Description
926	1	1	50:1 Pump, Cover, Hoses, Air & Lube Connectors
85387-4	2	1	Airline Lubricator/Regulator and Filter w/ Gauge 1/4" NPT(f)
885	5	2	Hi-Pressure Shut-Off Valve 1/2" NPT(f)
12957	6	2	Nipple, 1/2" NPT(m) x 1/2"-27 (m)
740	7	*	Hi-Pressure Control Valve 1/4" NPT(f)
81387	8	*	Hi-Pressure Universal Swivel, 1/4" NPT(m) x 1/2"-27 Thread (m)
85516	9	*	Adjustable Ball Stop
85050	10a	1	HD Hose Reel with Hose & Lube Connectors, 30' 75360 Hose
87532G	10b	1	GS Hose Reel with Hose & Lube Connectors, 30' 75360 Hose
85051	11a	1	HD Hose Reel with Hose & Lube Connectors, 50' 75600 Hose
87552G	11b	1	GS Hose Reel with Hose & Lube Connectors, 50' 75600 Hose
11197	12	1	Nipple, 1/2" NPT(m) x 1/2" NPT(m)
***	13	**	5/8" OD Tube Elbow, 1/2" NPT(m)
***	14	**	5/8" OD 90° Union Elbow
***	15	**	5/8" OD Tube Union
***	16	**	5/8" OD Tube Union Tee
***	17	**	5/8" OD Tube Elbow, 1/4" NPT(f)
***	18	**	5/8" OD Tube Union Tee, 1/2" NPT(f)
***	19	**	Hi-Pressure Tubing 5/8" OD x .083 Wall (Working Pressure: 5000 psi)†

WARNING

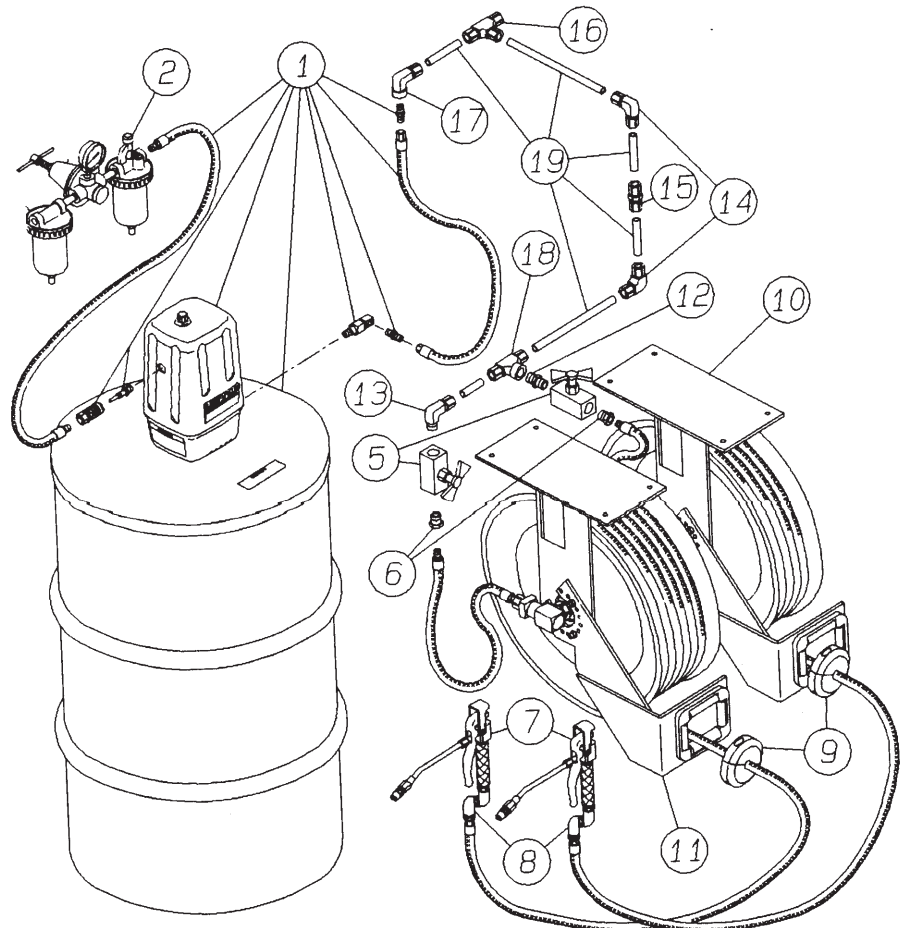
For safe and proper use, always consult instructions accompanying product.

See **Safety Warning Information** for

* Included in each reel assembly.

** Requirements vary per system.

*** Available from local petroleum equipment service distributor.



Typical Installations

Pump and Reel



Typical Installation

Bill of Materials—Lubricating Equipment

Model	Code	Req'd.	Description
1910-2	1	1	Chassis Lubrigun 50:1 PowerMaster®
1951	2	1	Gear Lube Dispenser 6:1 PowerMaster III
1952-1	3	1	Motor-Oil Dispenser 6:1 PowerMaster III
284856	4a	1	1" Air-Operated Double Diaphragm Pump, 50/50 mix
84817	4b	1	Wall Mount Bracket
84945	4c	1	1" Suction Kit
84934	5	1	ATF Dispenser 5:1 Series 40 Pump, Hoses, Air & Fluid Connectors
85051	6	1	Chassis Reel
85055	7	1	Gear Lubricant Reel
85061	8	1	Motor Oil Reel
85064	9	1	Antifreeze Reel
85061	10	1	ATF Reel
85063	11	1	Air Service Reel
85242	12	6	Mounting Rail Assembly
66100	13	2	Air Pressure Gauge 1/4" NPT(m)
602008	14	2	Air Regulator 1/2" NPT(f)
602134	15	2	Air Regulator (with Gauge) 1/4" NPT(f)
602208	16	1	Airline Lubricator 1/2" NPT(f)
602108	17	1	Airline Filter 1/2" NPT(f)
82087	18	1	Hi-Pressure 90° Swivel 1/2" NPT(m)
241584	19	2	90° Swivel Union 1/2" NPT(f) x 1/2" NPT(m)
76024A	20	1	Volume Hi-Pressure Hose 1/2" NPT(f)
73060	21	2	Volume Medium-Pressure Hose 1/2" NPT(m)
74036	22	3	Volume Low-Pressure Air Hose 1/2" NPT(m)
83369	23	1	Follower Plate (Chassis 400 lb. Drum)
Others	24	2	275-Gallon Ob-round Tank

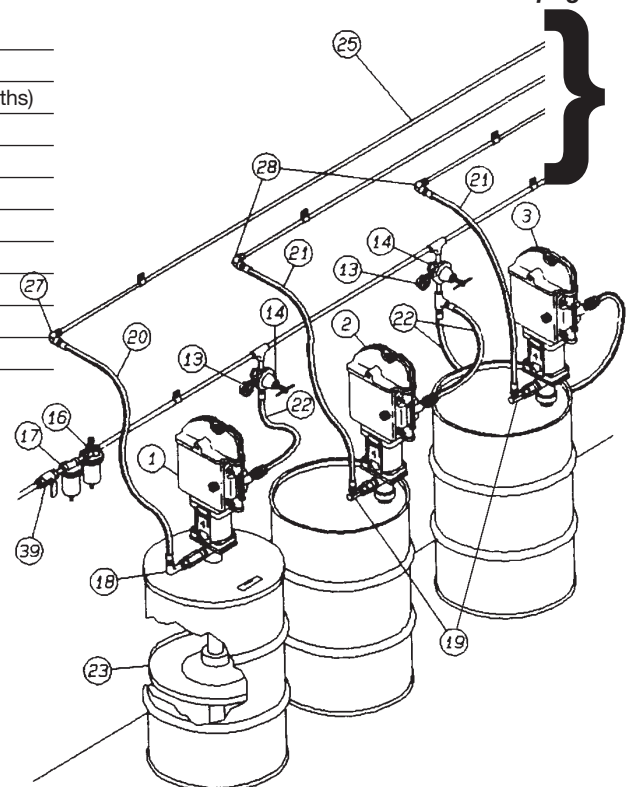
Bill of Materials—Lubricant Supply Lines

Model	Code	Req'd.	Description
***	25	*	Hi-Pressure Steel Tubing 5/8" OD x .083 Wall (20' lengths)
***	26a	*	Medium-Pressure Steel Tubing 5/8" OD x .049 Wall (20' lengths)
***	26b	*	Alternate for Antifreeze 15 PVC or Copper Pipe
***	27	1	5/8" OD Tube Elbow, 1/2" NPT(m)
***	28	4	5/8" OD Tube Elbow, 1/2" NPT(f)
***	29	5	5/8" OD Tube Union
***	30	5	5/8" OD Tube Union Tee, 1/2" NPT(f)
885	31	1	Hi-Pressure Shut-Off Valve 1/2" NPT(f)
66084	32	4	Medium-Pressure 1/4 Turn Shut-Off Valve 1/2" NPT(f)
12080	33	2	Bushing 1/4" NPT(f) x 1/2" NPT(m)
66596	34	*	Tube Clip for 5/8" OD Tubing 9/32" Diameter Hole

* Quantities vary with installation.

*** Available from local petroleum equipment service distributor.

Drawing continues on next page.



Typical Installations

Pump and Reel

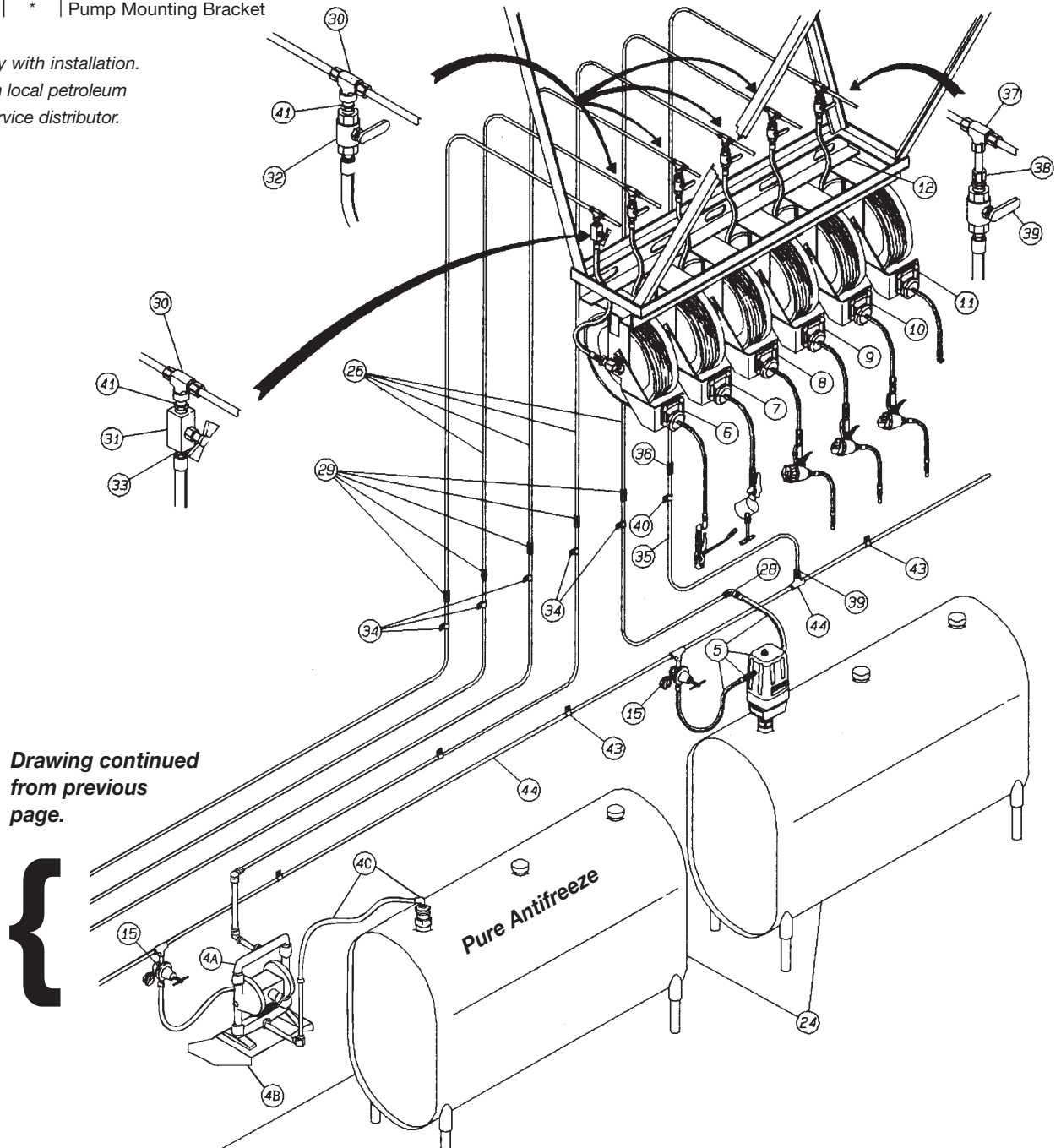


Bill of Materials—Air Supply Lines

Model	Code	Req'd.	Description
**	35	*	Low-Pressure Copper Tubing $\frac{3}{8}$ " OD or $\frac{1}{2}$ " OD
**	35	*	$\frac{1}{2}$ " Schedule 40 Galvanized Steel Pipe
**	36	1	Union
**	37	1	Tee
**	38	2	Connector $\frac{1}{2}$ " NPT(m)
66084	39	2	Shut-Off Valve $\frac{1}{2}$ " NPT(f)
360108	40	*	Tube Clip for $\frac{1}{2}$ " OD Tubing $\frac{7}{32}$ " Diameter Hole
11197	41	5	Nipple $\frac{1}{2}$ " NPT(m) x $\frac{1}{2}$ " NPT(m).
66883	42	1	Adapter Union, $\frac{1}{2}$ " NPSM(f) Swivel x $\frac{1}{2}$ " NPT(m)
**	43	*	Pipe Clamp for $\frac{1}{2}$ " Pipe
**	44	*	$\frac{1}{2}$ " Schedule 40 ASTM A53 Buttwelded Pipe & Malleable Fittings
84817	45	*	Pump Mounting Bracket

* Quantities vary with installation.

** Available from local petroleum equipment service distributor.



Drawing continued
from previous
page.