

Synchro (Sel-Syn) - Rotary Position Indicator

HYDRO

Model 1250B



The Model 1250B provides highly accurate rotary position indication, with interfaces to SCADA, PLC's and computers.

Applications

This versatile instrument has long been a utility industry standard for measurement of:

- Head & Tailwater Level
- Stream or Pond Level
- Spillway Gate Position
- Governor Limit & Position
- Valve Position
- Fish Wier Position



Capabilities

This sophisticated instrument can help solve tough position measurement problems.

- Non-Linear Conversion
- Multi-Turn Measurements
- Interfaces with PLC's & PC-Based SCADA Systems
- Programmable Alarm or Control Outputs
- MODBUS & ASCII Protocols

Benefits

- Highly Accurate
- Easy Automation Interface
- Proven Reliability
- Maintenance Free
- Retrofit to Older Systems
- Simple Programming
- Cost Effective
- Highly Visible LED Display

Features

These special features make the 1250B a powerful component in an automation system

- Absolute Position Feedback
- Proportional Analog Output Signal
- Programmable Hi/Lo Relay Limits
- RS-485 Multi-Drop Communication
- RS-232 ASCII Serial Communication
- Programming via Serial Port

Specifications

GENERAL

Input Signal	Synchro (5 wire) 90V Maximum
Resolution	±0.001% of full scale or 6 arc minutes
Accuracy	±0.02% of full scale maximum (0.01% typical)
Temperature Drift	±0.01% per °C
Operating Temp.	0° to 55°C (standard)
Humidity	10% - 90% non condensing
Weight	24 oz.
Voltage	117/234 ±10%
Frequency	47 - 63Hz
Load	8 Watts, maximum

DISPLAY

Type	5-digit LED
Digit Height	0.56 inch (14.2mm)
Viewing distance	23 feet
Decimal point	Field programmable (scaled modes only)

OPTIONAL ANALOG OUTPUT

Outputs	±1mA, 0-1mA, 0-2mA, 4-20mA (requires external loop power)
Compliance	10 Volts (0-1mA, ±1mA, 0-2mA) 500 Ohms (4-20mA)
Non-Linearity	± 0.1% of full scale
Resolution	12 bits (±0.025% of full scale)

OPTIONAL HI/LO RELAYS

Contact Rating	3A@125/250 VAC (resistive), 30 VDC
----------------	------------------------------------

Optional Accessories

Model 1292 - Selsyn Synchro Transmitter

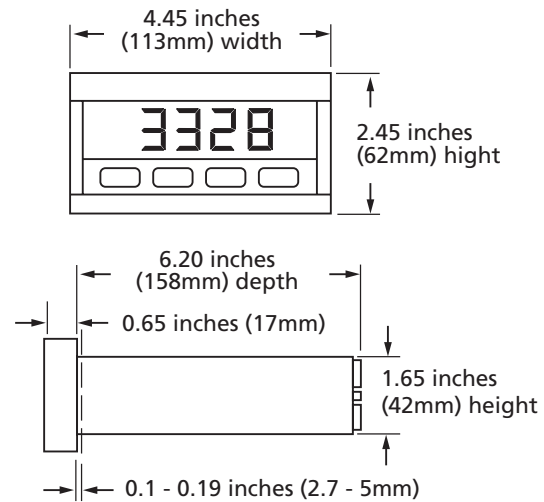
Model 1292K - Transmitter w/bracket

Model 1292KS - Transmitter w/bracket & surge protections circuit

Model 1293 - Flexible coupling shaft

Model 1945 - 15 VDC Loop Power Supply
(For 4-20mA Analog Output)

Model 1250B Dimensions



Panel cut out min.: 1.653 (42mm) x 3.543 (90mm) (+2/-0mm)

Panel thickness: 0.1 (2.7mm) to 0.19 (5.0mm)

Ordering Information

1250B-U-W-X-Y-ZZZ = options, see below

OPTIONS

U = Output Options **0** (0-1mA) **2** (0-2mA)
1 (±1mA) **4** (4-20mA)
(Requires Model 1945)

W = Control **R** - Hi/Low Relay Limits

X = Input Options **I** - Input Isolation

Y = Comm. Options **S** - RS-232
M - RS-485 MODBUS
PB - Parallel Data (BCD)

ZZZ = Line Voltage **120** (120 VAC) or **240** (240 VAC)



INTELLIGENT CONTROLS

Intelligent Controls, Inc.
92 Industrial Park Road
Saco, Maine 04072
Tel: 800-872-3455
Fax: 207-283-0158
www.incon.com

