

Smart Solutions. Powerful Products.

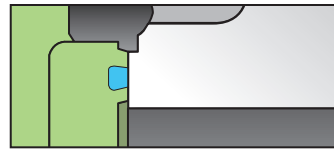


PBV[®] API 6D Flanged End
Swing Style Check Valves

PBV® Series P800/P900 Swing Style Check Valves

Standard Features

- 316 SS Clapper and Pin 2", 3" & 4", WCC + 316L Overlay, Clapper 6" and Above
- 316 SS Overlay on Integral and Removable Seat Designs
- 316 SS Overlay on Body Disc Contact
- API 6D Monogrammed
- Material Meets NACE MR0175-ISO 15156
- Graphite Secondary Body Gasket for Firesafe Operation
- Dove Tail Seat/Clapper O-Ring Seal Groove
- Full Port Piggable
- Blind Bolt Holes and Metal-to-Metal Body Cover
- WCC Body Material
- Viton® GF Seals
- Hydrostatic Tested 100% to API 6D and Optional Low Pressure Air
- In-Line Repairable
- Bleed Plug On Cover
- Cast Feet To Prevent Roll Over (10" & Larger)
- Suitable for Horizontal Installation
- Vertical Upflow Installation. Consult factory for more information.



Series P800 Standard Integral Seat Design Seals With a Clapper O-ring.

How To Order & Industry Standards

Specifying PBV® Series P800 & P900 Valve Figure Numbers

Example: 4" P-860-11-2236-YY This number represents a 4" P Series, Integral Seat Design, Class 600, Firesafe to API 6FD, Raised Face End Connections, Carbon Steel Body and Cover, Stainless Steel Disc, Viton® GF Seals, NACE, no modifications.

P - **8** - **60** - **1** - **1** - **22** - **36** - **Y** - **Y**

| Series | Design | Pressure Class | Fire Tested | End Connection | Body/Cover Material | Trim Material | Seat Seals | Cover Seals |
|-----------------|-------------------------------|----------------------|---------------------|--------------------------|----------------------------------|------------------------------|-------------------------------------|------------------------------------|
| P PBV | 8 6D Integral Seat | 10 150 | 1 API 6FD | 1 RF | 22 Carbon Steel-WCC | 36 Stainless Steel | B Buna N | B Buna N/ Graphite |
| | | 30 300 | | 2 Non-Standard | | | 00 Same As Body | R LT Buna N |
| | 9 6D Removable Seat | 60 600 | | 3 RTJ | 28 LT Carbon Steel-LCC | 36 Same As Body | Y Viton® GF | Y Viton® GF/ Graphite |
| | | 90 900 | | 4 RF x WE | | | W Viton® B AED* | W Viton® GF/ Graphite |
| | | 15 1500 | | 5 WE | | | Z Metal with Stellite® | W Viton® B AED* |
| | 25 2500 | 6 RTJ x WE | | Z RTJ | L Graphite | | | |

Note: Other materials available upon request.
*API 6D requires AED for Class 600 and above.

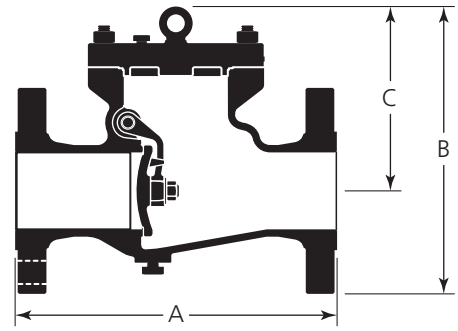
Manufactured in Strict Conformance with the Following Industry Standards

- ISO 9001 Quality System
- API 6D Specification for Pipeline Valves
- ASME B16.34 Valves - Flanged, Threaded and Welding End
- ASME B16.5 Pipe Flanges and Flanged Fittings
- NACE MR0175-ISO 15156
- CSA #Z245.15 Steel Valves
- ASME Section VIII Division 1 Boiler and Pressure Vessel Code
- Canadian Registration Number (CRN) Products Registered in all Provinces and Territories

PBV® Series P800/P900 Swing Style Check Valves

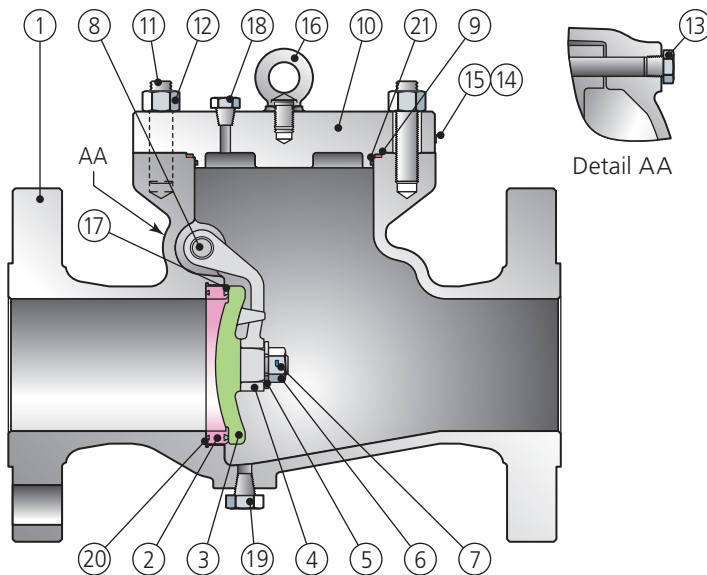
Dimensional Data, 2"-24"

| Size (in.) | ANSI Class | A RF | A RTJ | B | C | Wt. (lbs.) |
|------------|------------|------|-------|------|------|------------|
| 2 | 150 | 8.0 | 8.5 | 8.7 | 5.7 | 31 |
| | 300 | 10.5 | 11.1 | 8.9 | 5.7 | 40 |
| | 600 | 11.5 | 11.6 | 9.4 | 6.1 | 62 |
| | 900 | 14.5 | 14.6 | 10.5 | 8.5 | 150 |
| | 1500 | 14.5 | 14.6 | 10.5 | 8.5 | 150 |
| 3 | 150 | 9.5 | 10.0 | 9.7 | 6.0 | 49 |
| | 300 | 12.5 | 13.1 | 11.7 | 7.6 | 73 |
| | 600 | 14.0 | 14.1 | 11.7 | 7.6 | 112 |
| | 900 | 15.0 | 15.1 | 11.8 | 9.5 | 180 |
| | 1500 | 18.5 | 18.6 | 15.4 | 10.0 | 265 |
| 4 | 150 | 11.5 | 12.0 | 11.5 | 7.0 | 84 |
| | 300 | 14.0 | 14.6 | 13.3 | 8.3 | 99 |
| | 600 | 17.0 | 17.1 | 14.1 | 8.7 | 148 |
| | 900 | 18.0 | 18.1 | 14.0 | 11.5 | 250 |
| | 1500 | 21.5 | 21.6 | 17.7 | 11.6 | 441 |
| 6 | 150 | 14.0 | 14.5 | 16.2 | 10.7 | 128 |
| | 300 | 17.5 | 18.1 | 16.9 | 10.6 | 216 |
| | 600 | 22.0 | 22.1 | 17.4 | 10.4 | 238 |
| | 900 | 24.0 | 24.1 | 21.0 | 13.5 | 564 |
| | 1500 | 27.8 | 28.0 | 24.2 | 16.4 | 849 |
| 8 | 150 | 19.5 | 20.0 | 19.1 | 12.4 | 221 |
| | 300 | 21.0 | 21.6 | 19.8 | 12.3 | 309 |
| | 600 | 26.0 | 26.1 | 22.3 | 14.1 | 992 |
| | 900 | 29.0 | 29.1 | 24.0 | 18.5 | 1010 |
| | 10 | 150 | 24.5 | 25.0 | 23.9 | 15.0 |
| 300 | | 24.5 | 25.1 | 23.9 | 14.7 | 582 |
| 600 | | 31.0 | 31.1 | 27.3 | 16.5 | 1261 |
| 900 | | 33.0 | 33.1 | 31.0 | 21.5 | 1785 |



| Size (in.) | ANSI Class | A RF | A RTJ | B | C | Wt. (lbs.) |
|------------|------------|------|-------|------|------|------------|
| 12 | 150 | 27.5 | 28.0 | 28.3 | 17.8 | 688 |
| | 300 | 28.0 | 28.6 | 29.5 | 18.3 | 893 |
| | 600 | 33.0 | 33.1 | 30.8 | 19.0 | 1455 |
| | 900 | 38.0 | 38.1 | 36.0 | 24.0 | 2370 |
| 14 | 150 | 31.0 | 31.5 | 24.3 | 16.2 | 1085 |
| | 300 | 33.0 | 33.6 | 35.0 | 22.0 | 1687 |
| 16 | 150 | 34.0 | 34.5 | 31.5 | 18.9 | 1405 |
| | 300 | 34.0 | 34.6 | 33.4 | 19.5 | 1960 |
| 18 | 150 | 38.5 | 39.0 | 37.1 | 22.3 | 1960 |
| | 300 | 38.5 | 39.1 | 37.6 | 22.5 | 2530 |
| 20 | 150 | 43.0 | 43.1 | 37.4 | 22.5 | 4050 |
| | 300 | 38.5 | 39.0 | 37.9 | 23.0 | 2110 |
| 24 | 150 | 40.0 | 40.8 | 40.7 | 23.6 | 3220 |
| | 300 | 47.0 | 47.2 | 45.1 | 27.4 | 6120 |
| 24 | 150 | 51.0 | 51.5 | 47.3 | 28.5 | 3290 |
| | 300 | 53.0 | 53.9 | 47.8 | 28.8 | 4170 |
| | 600 | 55.0 | 55.4 | 48.5 | 29.3 | 7970 |

Parts & Materials



| No. | Qty. | Part Name | Material |
|-----|------|---------------|-------------------|
| 1 | 1 | Body | ASTM A216 WCC |
| 2 | 1 | Seat | 316L SS |
| 3 | 1 | Disc | ASTM A351 CF8M |
| 4 | 1 | Hinge | ASTM A351 CF8M |
| 5 | 1 | Washer | 316 SS |
| 6 | 1 | Lock Nut | 316 SS |
| 7 | 1 | Pin | 316 SS |
| 8 | 1 | Hinge Pin | ASTM A182 F316 |
| 9 | 1 | Gasket | 316 SS + Graphite |
| 10 | 1 | Bonnet | ASTM A105 |
| 11 | * | Stud | ASTM A193 B7M |
| 12 | * | Nut | ASTM A194 2HM |
| 13 | 1 | Plug | ASTM A105 + Zn |
| 14 | 1 | Name Plate | Stainless Steel |
| 15 | 2 | Rivet | Carbon Steel |
| 16 | 1 | Lifting Bolt | Carbon Steel |
| 17 | 1 | Disc O-Ring | Viton® GF |
| 18 | 1 | Plug | ASTM A105 |
| 19 | 1 | Plug | ASTM A105 |
| 20 | 1 | Seat O-Ring | Viton® GF |
| 21 | 1 | Bonnet O-Ring | Viton® GF |

*Varies by size. Consult factory.

Our goal is to become the leading provider of mission critical oilfield products and related services in terms of customer satisfaction, safety and financial performance.

Our experienced management team and employees are dedicated to solving our customers' problems. We invest in long term relationships and cooperate on product development with our clients, we consider them our partners.

OUR CORE VALUES

Integrity: In everything we do, in every interaction, both internally and externally, we strive to operate with the upmost integrity and mutual respect.

Long-term view: We are building our company for the long-term, a company that we can be proud of.

Open communication: We believe partnerships with our customers and co-workers must be based on trust, professionalism and transparency.

Customer focused: Our products enhance our customer's performance and we listen to their needs and work with them to solve their challenges.

Good place to work: We are committed to creating a workplace that fosters innovation, teamwork and pride. Every team member is integral to our success and is treated equally and fairly.

No one gets hurt: The safety of our employees and customers is our first priority coupled with a healthy respect for the environment.

For more information about our products and full Terms & Conditions please visit www.f-e-t.com.



12735 Dairy Ashford Road
Stafford, Texas 77477
281.637.2000 [m] 800.256.6193 [tf] 281.340.5499 [f]
www.f-e-t.com