

# PRESSURE GAUGE SYPHON

## STYLE# 1

1/2"

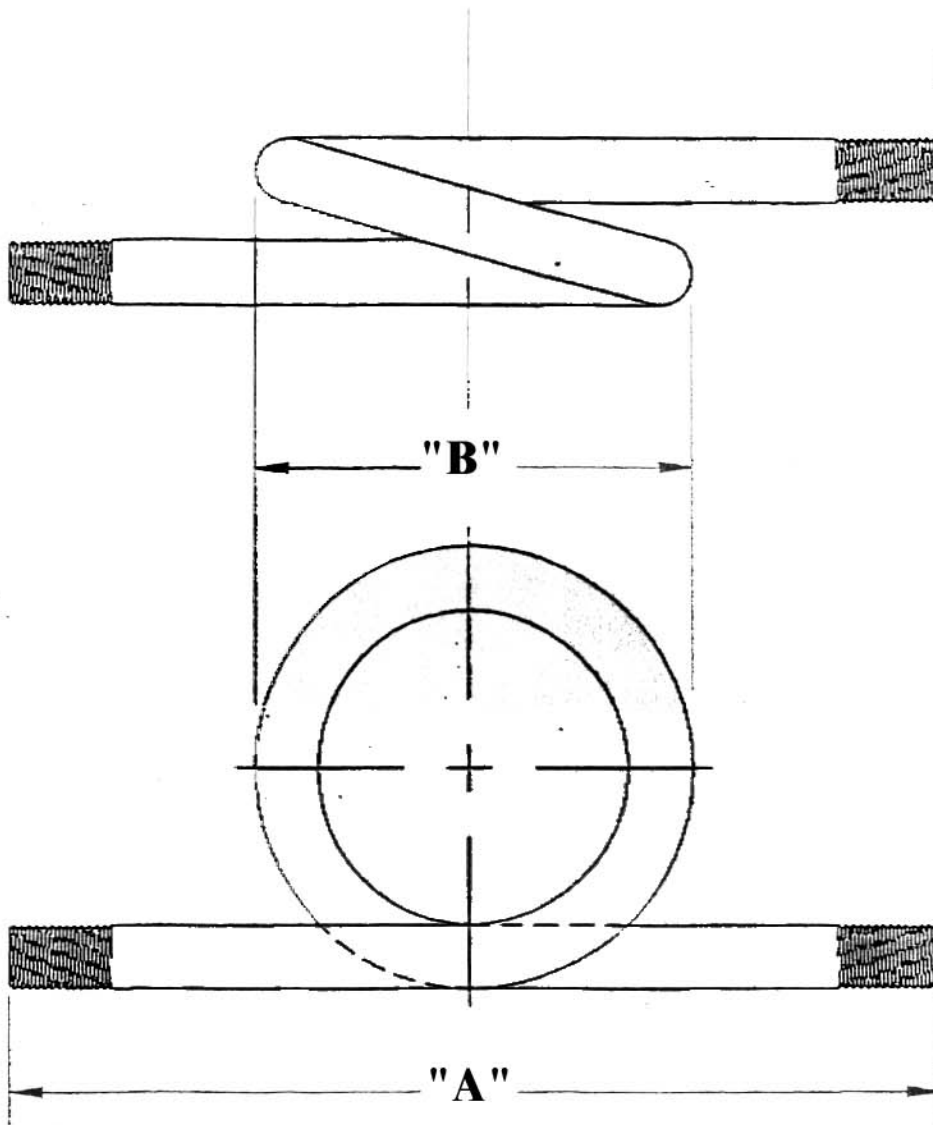
$$A = 8 \frac{7}{8}'' \pm \frac{1}{4}''$$

$$B = 4'' \pm \frac{1}{2}''$$

1/4"

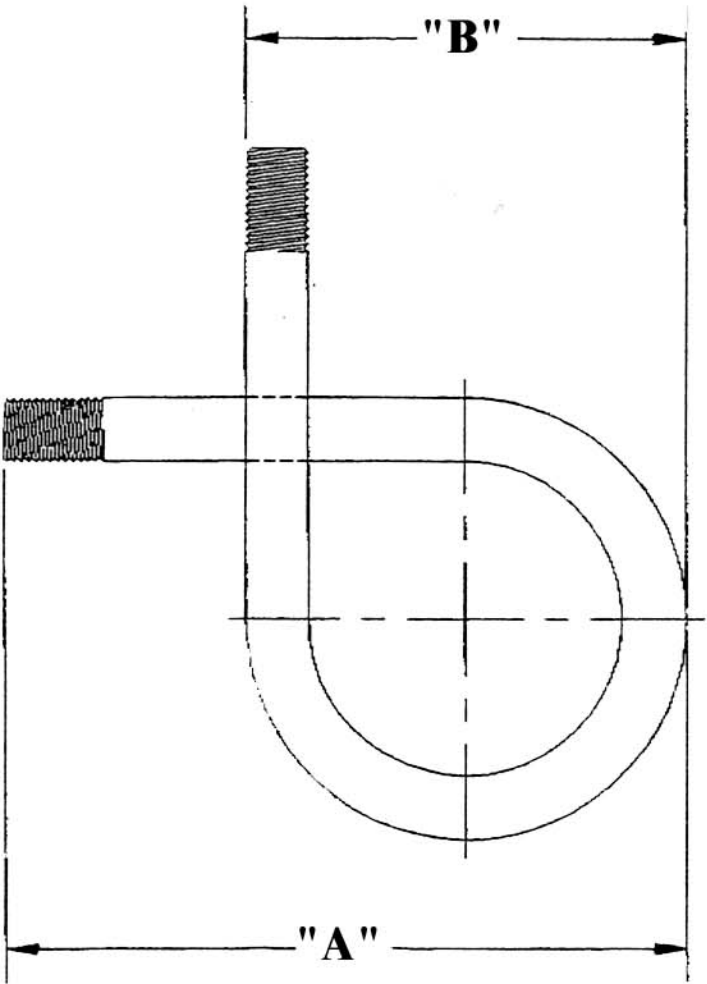
$$A = 5 \frac{1}{2}'' \pm \frac{1}{4}''$$

$$B = 2 \frac{1}{2}'' \pm \frac{1}{4}''$$



1 Reed Rd  
PO BOX339  
Elysburg, PA 17824  
PHONE: 570-672-1550  
FAX 570-572-1556

# PRESSURE GAUGE SYPHON



## STYLE# 2

1/2"

$$A = 6 \frac{1}{2}'' \pm \frac{1}{4}''$$

$$B = 4'' \pm \frac{1}{4}''$$

1/4"

$$A = 4 \frac{1}{4}'' \pm \frac{1}{4}''$$

$$B = 4'' \pm \frac{1}{4}''$$



1 Reed Rd  
PO BOX339  
Elysburg, PA 17824  
PHONE: 570-672-1550  
FAX 570-572-1556

# PRESSURE GAUGE SYPHON

## STYLE# 3

1/2"

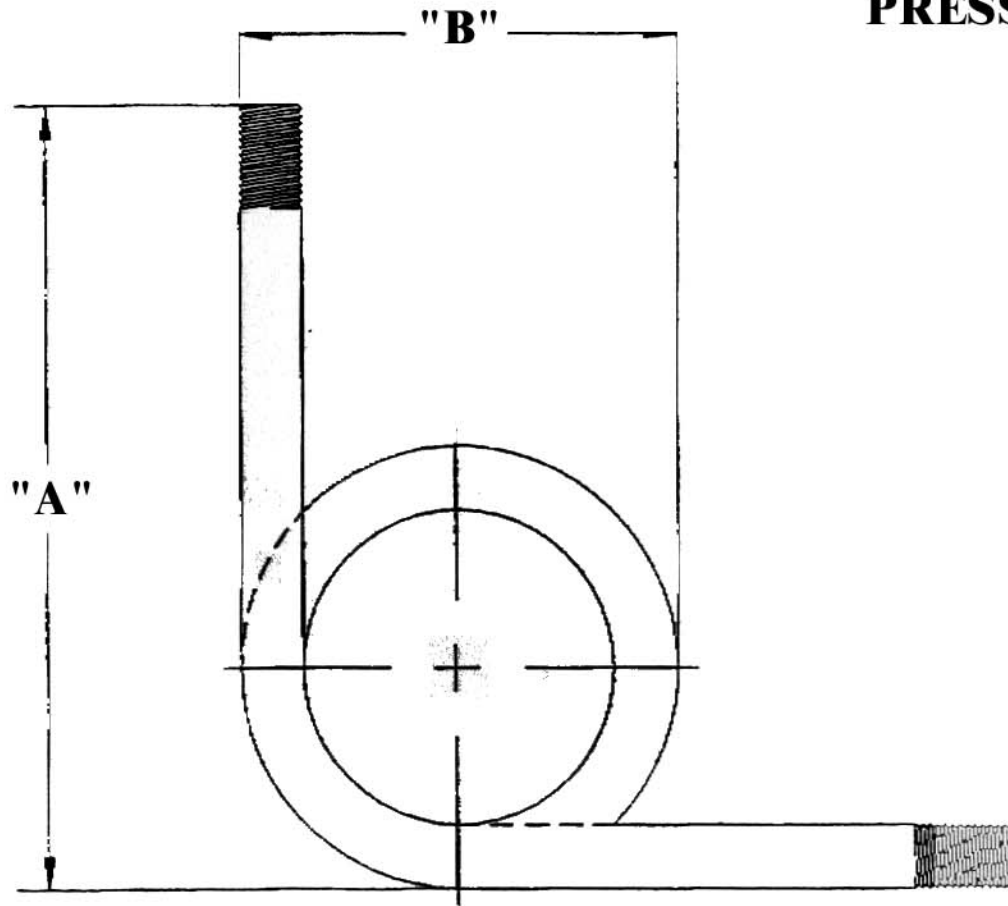
$$A = 7 \frac{1}{2}'' \pm \frac{1}{4}''$$

$$B = 4'' \pm \frac{1}{4}''$$

1/4"

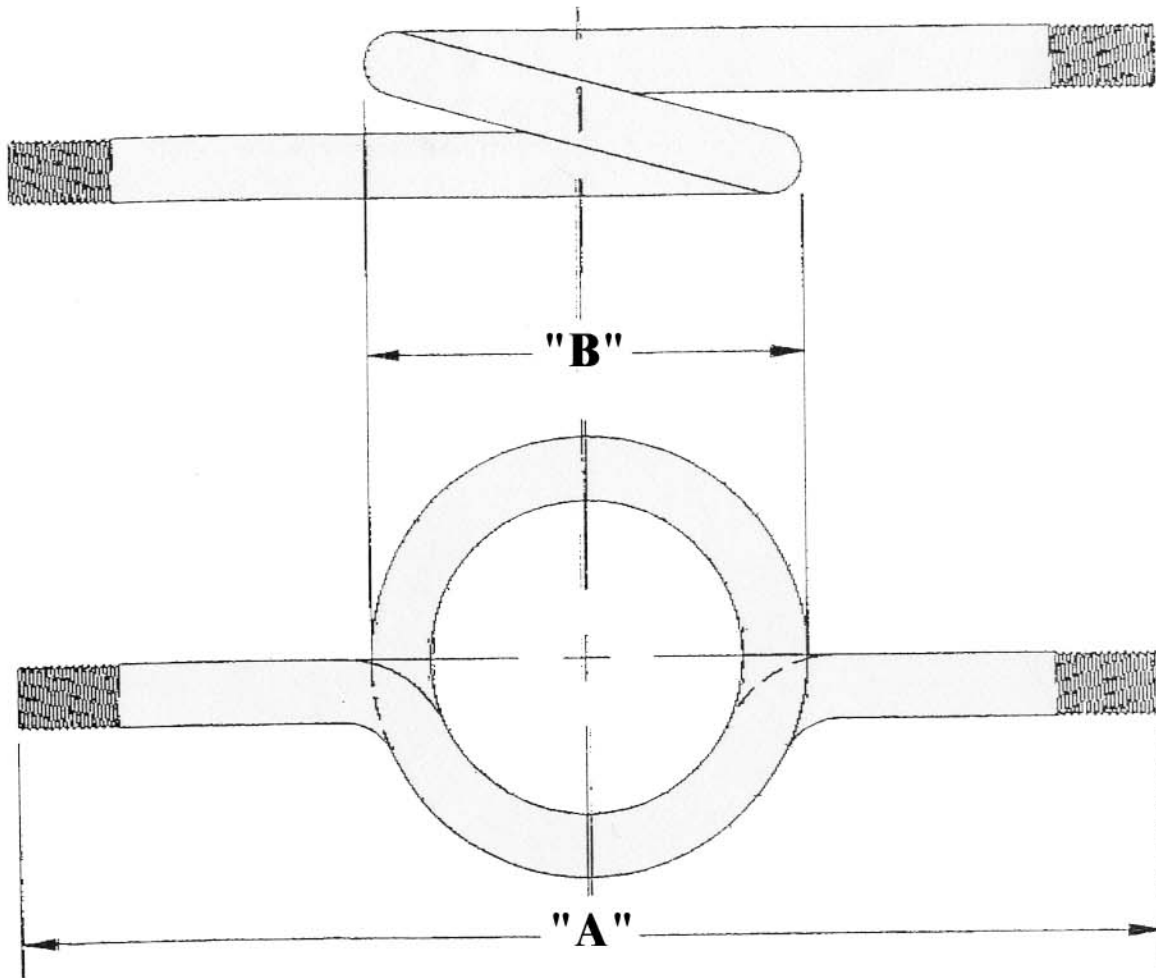
$$A = 4 \frac{1}{4}'' \pm \frac{1}{4}''$$

$$B = 2 \frac{1}{2}'' \pm \frac{1}{4}''$$



1 Reed Rd  
PO BOX339  
Elysburg, PA 17824  
PHONE: 570-672-1550  
FAX 570-572-1556

# PRESSURE GAUGE SYPHON



**STYLE# 4**

**1/2"**

**A = 12"  $\pm$  1/4"**

**B = 4 1/8"  $\pm$  1/4"**

**1/4"**

**A = 7 1/4"  $\pm$  1/4"**

**B = 2 5/8"  $\pm$  1/4"**



**1 Reed Rd  
PO BOX339  
Elysburg, PA 17824  
PHONE: 570-672-1550  
FAX 570-572-1556**