

Actual material certificates and certificate of conformance supplied as standard to EN 10204:2004 3.1



## Type 1032 Sanitary Pressure Gauge

### FEATURES

- Plus!™ Performance is available on 2½", 3½", 4½" gauges for liquid filled performance in a dry case gauge.
- All-welded 316L SS Bourdon tube
- Welded 316L SS diaphragm and seal housing
- USP grade glycerin (99.5% pure, system fill) standard
- 3A compliance to standard 74-03
- 300 SS electropolished case and ring
- Electropolished diaphragm & housing
- Dry and liquid filled gauge versions<sup>(1)</sup>
- Weatherproof and hermetically sealed versions
- External Easy Zero™ adjust standard on dry, liquid filled and Plus!™ 3½" size
- Individual calibration certificates provided on request

Ashcroft® Type 1032 sanitary pressure gauges have specifically been designed to meet the need for sanitary-type pressure gauges in the pharmaceutical, bio-tech, filtration and food and dairy markets. With a quick-connect clamp and diaphragm surface finish that is electropolished to 12-20RA these instruments are also suitable for use in breweries, wineries and citrus juice production plants. Available in dial sizes from 2" thru 4½" and Tri-Clamp® type connections of ¾" thru 2", Ashcroft's selection of sanitary pressure gauges is unsurpassed.

To meet the needs of the markets served, all Ashcroft sanitary gauges, with optional polysulfone window, can be autoclaved or sterilized to temperatures of 300°F (149°C) and can be cleaned or steamed in place. Ashcroft Type 1032 sanitary gauges with dial sizes of 2½" and 3½" are furnished standard with the patented PowerFlex™ movement. Since the PowerFlex movement is suspended from the Bourdon tube, it resists the effects of pulsation and vibration, a primary cause for gauge failure.

### SPECIFICATIONS

- Dial Size:** 2", 2½", 3½", 4½"
- Accuracy:** 2": 3% upscale, up to 5% downscale<sup>(2)</sup>  
2½" 3½" 4½": 1.5% F.S. for pressure ranges 100 psi and above. 2.0% F.S. for vacuum compound and ranges below 100 psi.
- Case & Ring Material:** 300 SS electropolished
- Ring Type:** 2": Stainless steel, friction fit  
2½" 3½" 4½": Bayonet, removable
- Bourdon Tube and Socket Material:** 316L SS
- Diaphragm Material & Surface Finish:** 316 SS, 12 to 20 RA electropolished
- Process Connection:**  
2" dial size: ¾" Tri-Clamp  
2½" 3½" dial size: 1½" or 2" Tri-Clamp  
4½" dial size: 2" Tri-Clamp only
- Connection Location:** 2": Lower  
2½" 3½" 4½": Lower or back
- System Fill:** USP food grade glycerin standard. Other materials available
- Window Material:** 2": Glass  
2½" 3½": Polycarbonate<sup>(3)</sup>  
4½": Glass
- Pointer:** 2": Black-painted aluminum, non-adjustable  
2½": Black-painted aluminum, adjustable  
3½": Black-painted aluminum with ext. adjust  
4½": Black-painted aluminum, adjustable
- Dial:** White with black markings
- Movement:** 2" 2½" 3½": 300 SS, 4½": 400 SS
- Agency Approvals:**  
3A compliance to sanitary standard 74-03
- Ranges:** 2": 30# thru 600#, incl. compound & vacuum  
2½" 3½" 4½": 15# thru 1000#, including compound & vacuum
- Clean or Steam in Place:** (CIP or SIP): Process temperature limit of 280°F (138°C)
- Autoclave or Sterilize:** Ambient temp. limit of 300°F (149°C) when supplied with polysulfone window (3½" dry gauge only).

- (1) 2" 1032 not available liquid filled and not available in ranges below 30psi.
- (2) Gasket material and clamp torque tightness may effect gauge accuracy. We use a buna o-ring gasket and 25 inch pounds of clamp force when calibrating. Other gaskets could effect accuracy.
- (3) We recommend a polysulfone window for autoclave/ sterilization. Specify the XPS variation. Available in 3½" dry gauge only.
- Tri-Clamps are not included, Tri-Clamp® is a registered trademark of Alfa Laval Inc.

### HOW TO ORDER (Typical Example)

Dial Size: 2" 2½" 3½" 4½" \_\_\_\_\_ 25 1032 S (L) 15 L X 100#

Type: 1032, 316L SS tube/socket \_\_\_\_\_

Diaphragm: 316L SS \_\_\_\_\_

Liquid-Filled Case (optional) \_\_\_\_\_

Process Connection: ¾" (75), 1½" (15), 2" (20) Tri-Clamp® \_\_\_\_\_

Connection Location: lower (L), back (B) \_\_\_\_\_

Optional Features \_\_\_\_\_

Pressure Range: 100 psi \_\_\_\_\_

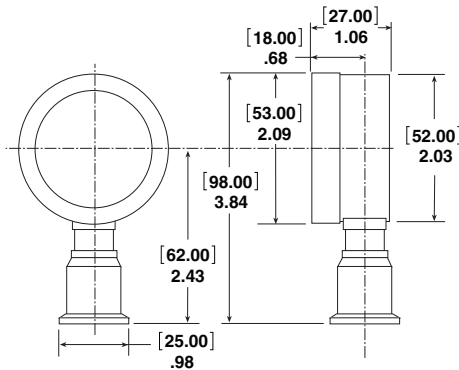
Ashcroft Inc., 250 East Main Street, Stratford, CT 06614 USA  
Tel: 203-378-8281 • Fax: 203-385-0408  
email: info@ashcroft.com • www.ashcroft.com

ISO 9001  
REGISTERED FIRM

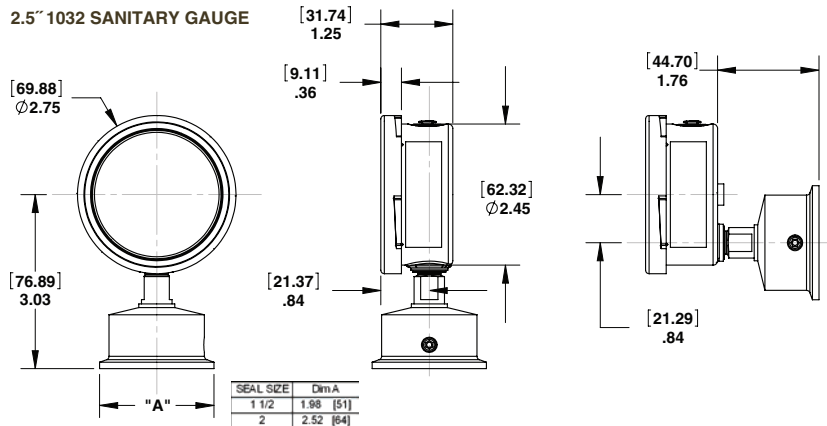
## Type 1032 Sanitary Pressure Gauge

### DIMENSIONS

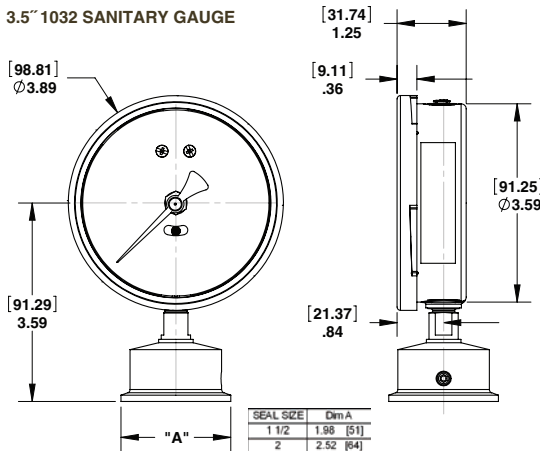
2.0" 1032 SANITARY GAUGE



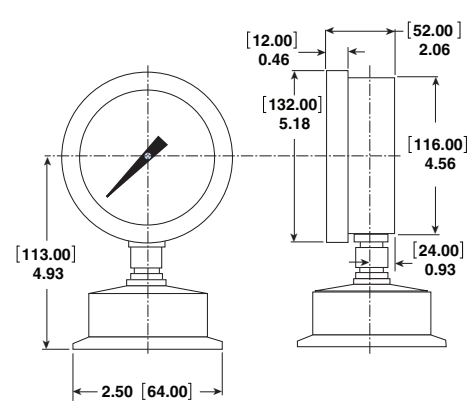
2.5" 1032 SANITARY GAUGE



3.5" 1032 SANITARY GAUGE



4.5" 1032 SANITARY GAUGE



### STANDARD PRESSURE RANGES

Pressure				
psi	Figure int.		Minor grad.	
0/15 <sup>(1)</sup>	1		0.2	
0/30	5		0.5	
0/60	5		1	
0/100	10		1	
0/160	20		2	
0/200	20		2	
0/300	30		5	
0/400	50		5	
0/600	50		10	
0/800	100		10	
0/1000 <sup>(2)</sup>	100		10	
Compound				
	Figure int.		Minor grad.	
	in. Hg	psi	in. Hg	psi
30" Hg/15 psi	5	3	1	0.5
30" Hg/30 psi	10	5	1	1
30" Hg/60 psi	10	10	2	1
30" Hg/100 psi	10	10	2	1

(1) Not available on 2" 1032

(2) Requires high pressure type clamp.

### METRIC PRESSURE RANGES

Pressure							
kg/cm <sup>2</sup>	bar	Figure interval	Minor graduation	kPa (kilopascal)	Figure interval	Minor graduation	psi
(kilograms per sq. centimeter)							outer scale of dual range
0/1 <sup>(1)</sup>	0/1	0.1	0.01	0/100	10	1	0/14 <sup>(1)</sup>
0/1.6	0/1.6	0.2	0.02	0/160	20	2	0/22
0/2.5	0/2.5	0.5	0.05	0/250	50	5	0/35
0/4	0/4	0.5	0.05	0/400	50	5	0/55
0/6	0/6	0.5	0.1	0/600	50	10	0/85
0/10	0/10	1	0.1	0/1000	100	10	0/140
0/16	0/16	2	0.2	0/1600	200	20	0/220
0/25	0/25	5	0.5	0/2500	500	50	0/350
0/40	0/40	5	0.5	0/4000	500	50	0/550
0/60	0/60	5	1	0/6000	500	100	0/850
Vacuum							
-1/0	-1/0	0.1	0.01	-100/0	10	1	30" Hg
Compound							
-1/0/1.5	-1/0/1.5	0.05	0.05	-100/0/150	50	5	30" Hg/0/20
-1/0/3	-1/0/3	0.05	0.05	-100/0/300	50	5	30" Hg/0/40
-1/0/5	-1/0/5	0.5	0.1	-100/0/500	50	10	30" Hg/0/70
-1/0/9	-1/0/9	1	0.1	-100/0/900	100	10	30" Hg/0/125

**ISO 9001**  
REGISTERED FIRM

BULLETIN SG-2

All specifications are subject to change without notice.  
All sales subject to standard terms and conditions.  
© Ashcroft Inc. 2009 08/09

Ashcroft Inc., 250 East Main Street, Stratford, CT 06614 USA  
Tel: 203-378-8281 • Fax: 203-385-0408  
email: info@ashcroft.com • www.ashcroft.com