

APOLLO[®] 141 Series Wafer Butterfly Valve
APOLLO[®] 143 Series Lug Butterfly Valve
 Sizes 2" - 24"

FEATURES

- Compatible with ANSI 125/150 flanges
- Available in both wafer and lug bodies
- ISO-5211 top mounting flange
- Extended neck for 2" of insulation
- Cartridge style seat design
- One piece double "D" through shaft design
- May be used for "dead-end" service at full rated pressure
- May be used in full vacuum(29.9 in Hg)
- Sizes 2"-12" are rated for 200 psig and sizes 14"-24" are rated for 150 psig

SPECIFICATIONS

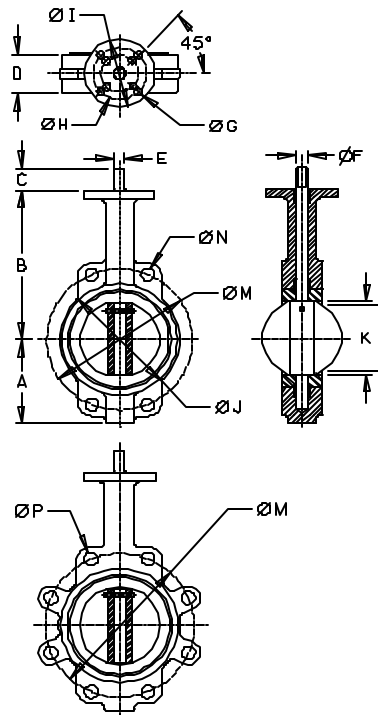
- Designed to comply with MSS SP-25, MSS SP-67 and API 609
- Valves meet the intent and have passed AWWA C-504-87 Section 5 proof of design tests

MATERIAL LIST

Part	Specification
1. Body	<input type="checkbox"/> Ductile Iron, ASTM A126 Class B <input type="checkbox"/> Ductile Iron, ASTM A536 (65-45-12)
2. Seat	<input type="checkbox"/> EPDM (with phenolic backing) <input type="checkbox"/> Buna-N (with phenolic backing)
3. Shaft	<input type="checkbox"/> Stainless Steel, ASTM A564 Type 416
4. Disc	<input type="checkbox"/> Nickel Plated Ductile Iron, ASTM A536 <input type="checkbox"/> Aluminum Bronze, ASTM B148 C95400 <input type="checkbox"/> Stainless Steel, ASTM A351 CF8M
5. Taper Pin	<input type="checkbox"/> Stainless Steel, ASTM A276 Type 316
6. Bushing	<input type="checkbox"/> PTFE
7. Stem Seal	<input type="checkbox"/> Buna-N
8. Nameplate	<input type="checkbox"/> Stainless Steel

CAPSCREW/STUD DATA

Size	No.	ÆP		ÆM	Wafer	Lug
		ÆN	Tap	B.C.	Length	Length
2"	4	.688	5/8"-11unc	4.75	4"	1 1/2"
2.5"	4	.688	5/8"-11unc	5.50	4 1/4"	1 1/2"
3"	4	.688	5/8"-11unc	6.00	4 1/2"	1 3/4"
4"	8	.688	5/8"-11unc	7.50	5"	1 3/4"
5"	8	.813	3/4"-10unc	8.50	5"	1 3/4"
6"	8	.813	3/4"-10unc	9.50	5"	2"
8"	8	.813	3/4"-10unc	11.75	6"	2 1/4"
10"	12	.938	7/8"-9unc	14.25	6"	2 1/4"
12"	12	.938	7/8"-9unc	17.00	6 1/2"	2 1/2"
14"	12	1.06	1"-8unc	18.75	7"	2 3/4"
16"	16	1.06	1"-8unc	21.25	8 1/2"	3 1/4"
18"	16	1.25	1 1/8"-7unc	22.75	9"	3 1/2"
20"	20	1.25	1 1/8"-7unc	25.00	10"	4"
24"	20	1.38	1 1/4"-7unc	29.50	11"	4"



DIMENSIONS

Size	A	B	C	D	E	ÆF	ÆG	ÆH
2"	3.25	6.38	1.25	1.75	.394	.496	.375	2.756
2.5"	3.75	6.88	1.25	1.88	.394	.496	.375	2.756
3"	4.00	7.13	1.25	1.88	.394	.496	.375	2.756
4"	4.88	7.88	1.25	2.13	.472	.621	.375	2.756
5"	5.38	8.38	1.25	2.25	.551	.745	.375	2.756
6"	5.88	8.88	1.25	2.25	.551	.745	.375	2.756
8"	7.13	10.25	1.75	2.50	.669	.870	.438/	4.015
							.563	/4.921
10"	8.25	11.50	1.88	2.75	.866	1.120	.438	4.015
							.563	/4.921
12"	9.75	13.25	1.88	3.13	.945	1.244	.563	4.921
14"	11.00	14.50	1.88	3.13	.945	1.244	.563	4.921
16"	12.00	15.75	2.00	3.50	-----	1.313	.563	4.921
18"	14.38	16.63	2.00	4.25	-----	1.500	.813	6.496
20"	14.63	18.88	2.50	5.25	-----	1.625	.813	6.496
24"	18.00	22.13	2.75	6.13	-----	2.000	.813	6.496

Size	Wafer				Lug	
	ÆI	ÆJ	K	L	wt.(lbs)	wt.(lbs)
2"	3.54	4.00	2.09	1.133	6	9
2.5"	3.54	4.75	2.54	1.706	8	10
3"	3.54	5.13	3.09	2.450	9	11
4"	3.54	6.75	4.09	3.488	11	18
5"	3.54	7.75	4.85	4.296	15	22
6"	3.54	8.63	6.13	5.697	18	26
8"	5.91	10.56	7.89	7.468	32	43
10"	5.91	13.06	9.89	9.484	47	66
12"	5.91	16.00	11.89	11.456	70	102
14"	5.91	17.13	13.38	13.000	90	148
16"	5.91	20.00	15.38	14.970	142	206
18"	8.27	21.38	17.38	16.847	176	277
20"	8.27	23.31	19.38	18.650	251	410
24"	8.27	27.88	23.38	22.558	405	592